

INSTRUCTION MANUAL
MANUEL D'INSTRUCTION
MANUAL DE INSTRUCCIONES

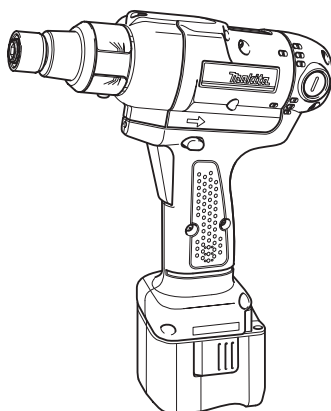


Cordless Screwdriver

Visseuse sans fil

Atornillador Inalámbrico

BFT020F
BFT040F
BFT042F
BFT080F
BFT081F
BFT122F
BFT123F



IMPORTANT: Read Before Using.

IMPORTANT : Lire avant usage.

IMPORTANTE: Lea antes de usar.

SPECIFICATIONS

Model		BFT020F	BFT040F	BFT080F	BFT122F	BFT042F	BFT081F	BFT123F
Fastening torque	Hard joint	0.5 - 2 N·m (4.4 - 17.8 in·lbs)	1 - 4 N·m (8.9 - 35.4 in·lbs)	3 - 8 N·m (26.6 - 70.8 in·lbs)	5 - 12 N·m (44.3 - 106 in·lbs)	1 - 4 N·m (8.9 - 35.4 in·lbs)	3 - 8 N·m (26.6 - 70.8 in·lbs)	5 - 12 N·m (44.3 - 106 in·lbs)
	Soft joint	0.5 - 2 N·m (4.4 - 17.8 in·lbs)	1 - 3.5 N·m (8.9 - 31 in·lbs)	3 - 6.5 N·m (26.6 - 57.5 in·lbs)	5 - 10 N·m (44.3 - 88.5 in·lbs)	1 - 3.5 N·m (8.9 - 31 in·lbs)	3 - 7.5 N·m (26.6 - 66.4 in·lbs)	5 - 12 N·m (44.3 - 106 in·lbs)
No load speed (RPM)		540 /min.	950 /min.	540 /min.	320 /min.	1,200 /min.	700 /min.	390 /min.
Dimensions		200 x 65 x 251 mm (7-7/8" x 2-9/16" x 9-7/8") (with Battery Cartridge BH9020/BH9020A)				200 x 71 x 242 mm (7-7/8" x 2-13/16" x 9-1/2") (with Battery Cartridge BH1220C)		
		200 x 65 x 274 mm (7-7/8" x 2-9/16" x 10-3/4") (with Battery Cartridge BH9033/BH9033A)				200 x 71 x 251 mm (7-7/8" x 2-13/16" x 9-7/8") (with Battery Cartridge BH1233C)		
Net weight		1.4 kg (3.1 lbs.)				1.5 kg (3.3 lbs.)	1.5 kg (3.4 lbs.)	

- Due to our continuing program of research and development, the specifications herein are subject to change without notice.
- Specifications and battery cartridge may differ from country to country.
- Weight, with battery cartridge, according to EPTA-Procedure 01/2003

General Power Tool Safety Warnings

⚠ WARNING Read all safety warnings and all instructions. Failure to follow the warnings and instructions may result in electric shock, fire and/or serious injury.

Save all warnings and instructions for future reference.

The term "power tool" in the warnings refers to your mains-operated (corded) power tool or battery-operated (cordless) power tool.

Work area safety

1. **Keep work area clean and well lit.** Cluttered or dark areas invite accidents.
2. **Do not operate power tools in explosive atmospheres, such as in the presence of flammable liquids, gases or dust.** Power tools create sparks which may ignite the dust or fumes.
3. **Keep children and bystanders away while operating a power tool.** Distractions can cause you to lose control.

Electrical safety

4. **Power tool plugs must match the outlet. Never modify the plug in any way. Do not use any adapter plugs with earthed (grounded) power tools.** Unmodified plugs and matching outlets will reduce risk of electric shock.
5. **Avoid body contact with earthed or grounded surfaces such as pipes, radiators, ranges and refrigerators.** There is an increased risk of electric shock if your body is earthed or grounded.
6. **Do not expose power tools to rain or wet conditions.** Water entering a power tool will increase the risk of electric shock.
7. **Do not abuse the cord. Never use the cord for carrying, pulling or unplugging the power tool. Keep cord away from heat, oil, sharp edges or moving parts.** Damaged or entangled cords increase the risk of electric shock.

8. **When operating a power tool outdoors, use an extension cord suitable for outdoor use.** Use of a cord suitable for outdoor use reduces the risk of electric shock.
9. **If operating a power tool in a damp location is unavoidable, use a ground fault circuit interrupter (GFCI) protected supply.** Use of an GFCI reduces the risk of electric shock.

Personal safety

10. **Stay alert, watch what you are doing and use common sense when operating a power tool. Do not use a power tool while you are tired or under the influence of drugs, alcohol or medication.** A moment of inattention while operating power tools may result in serious personal injury.
11. **Use personal protective equipment. Always wear eye protection.** Protective equipment such as dust mask, non-skid safety shoes, hard hat, or hearing protection used for appropriate conditions will reduce personal injuries.
12. **Prevent unintentional starting. Ensure the switch is in the off-position before connecting to power source and/or battery pack, picking up or carrying the tool.** Carrying power tools with your finger on the switch or energising power tools that have the switch on invites accidents.
13. **Remove any adjusting key or wrench before turning the power tool on.** A wrench or a key left attached to a rotating part of the power tool may result in personal injury.
14. **Do not overreach. Keep proper footing and balance at all times.** This enables better control of the power tool in unexpected situations.
15. **Dress properly. Do not wear loose clothing or jewellery. Keep your hair, clothing, and gloves away from moving parts.** Loose clothes, jewellery or long hair can be caught in moving parts.
16. **If devices are provided for the connection of dust extraction and collection facilities, ensure these are connected and properly used.** Use of dust collection can reduce dust-related hazards.

Power tool use and care

17. **Do not force the power tool. Use the correct power tool for your application.** The correct power tool will do the job better and safer at the rate for which it was designed.
18. **Do not use the power tool if the switch does not turn it on and off.** Any power tool that cannot be controlled with the switch is dangerous and must be repaired.
19. **Disconnect the plug from the power source and/or the battery pack from the power tool before making any adjustments, changing accessories, or storing power tools.** Such preventive safety measures reduce the risk of starting the power tool accidentally.
20. **Store idle power tools out of the reach of children and do not allow persons unfamiliar with the power tool or these instructions to operate the power tool.** Power tools are dangerous in the hands of untrained users.
21. **Maintain power tools. Check for misalignment or binding of moving parts, breakage of parts and any other condition that may affect the power tool's operation. If damaged, have the power tool repaired before use.** Many accidents are caused by poorly maintained power tools.
22. **Keep cutting tools sharp and clean.** Properly maintained cutting tools with sharp cutting edges are less likely to bind and are easier to control.
23. **Use the power tool, accessories and tool bits etc. in accordance with these instructions, taking into account the working conditions and the work to be performed.** Use of the power tool for operations different from those intended could result in a hazardous situation.

Battery tool use and care

24. **Recharge only with the charger specified by the manufacturer.** A charger that is suitable for one type of battery pack may create a risk of fire when used with another battery pack.
25. **Use power tools only with specifically designed battery packs.** Use of any other battery packs may create a risk of injury and fire.
26. **When battery pack is not in use, keep it away from other metal objects, like paper clips, coins, keys, nails, screws or other small metal objects, that can make a connection from one terminal to another.** Shorting the battery terminals together may cause burns or a fire.
27. **Under abusive conditions, liquid may be ejected from the battery; avoid contact. If contact accidentally occurs, flush with water. If liquid contacts eyes, additionally seek medical help.** Liquid ejected from the battery may cause irritation or burns.

Service

28. **Have your power tool serviced by a qualified repair person using only identical replacement parts.** This will ensure that the safety of the power tool is maintained.
29. **Follow instruction for lubricating and changing accessories.**
30. **Keep handles dry, clean and free from oil and grease.**

CORDLESS SCREWDRIVER SAFETY WARNINGS

1. **Hold power tool by insulated gripping surfaces, when performing an operation where the fastener may contact hidden wiring.** Fasteners contacting a "live" wire may make exposed metal parts of the power tool "live" and could give the operator an electric shock.
2. **Always be sure you have a firm footing. Be sure no one is below when using the tool in high locations.**
3. **Hold the tool firmly.**
4. **Keep hands away from rotating parts.**
5. **Do not touch the bit or the workpiece immediately after operation; they may be extremely hot and could burn your skin.**

SAVE THESE INSTRUCTIONS.

⚠WARNING: DO NOT let comfort or familiarity with product (gained from repeated use) replace strict adherence to safety rules for the subject product. **MISUSE** or failure to follow the safety rules stated in this instruction manual may cause serious personal injury.

Symbols

The followings show the symbols used for tool.

V	volts
— — —	direct current
n.	no load speed
... /min r /min	revolutions or reciprocation per minute

IMPORTANT SAFETY INSTRUCTIONS

FOR BATTERY CARTRIDGE

1. **Before using battery cartridge, read all instructions and cautionary markings on (1) battery charger, (2) battery, and (3) product using battery.**
2. **Do not disassemble battery cartridge.**
3. **If operating time has become excessively shorter, stop operating immediately. It may result in a risk of overheating, possible burns and even an explosion.**
4. **If electrolyte gets into your eyes, rinse them out with clear water and seek medical attention right away. It may result in loss of your eyesight.**

5. **Do not short the battery cartridge:**
 - (1) **Do not touch the terminals with any conductive material.**
 - (2) **Avoid storing battery cartridge in a container with other metal objects such as nails, coins, etc.**
 - (3) **Do not expose battery cartridge to water or rain.**
A battery short can cause a large current flow, overheating, possible burns and even a breakdown.
6. **Do not store the tool and battery cartridge in locations where the temperature may reach or exceed 50°C (122°F).**
7. **Do not incinerate the battery cartridge even if it is severely damaged or is completely worn out. The battery cartridge can explode in a fire.**
8. **Be careful not to drop or strike battery.**
9. **Do not use dropped or struck battery.**

SAVE THESE INSTRUCTIONS.

Tips for maintaining maximum battery life

1. **Charge the battery cartridge before completely discharged.**
Always stop tool operation and charge the battery cartridge when you notice less tool power.
2. **Never recharge a fully charged battery cartridge.**
Overcharging shortens the battery service life.
3. **Charge the battery cartridge with room temperature at 10°C - 40°C (50°F - 104°F).** Let a hot battery cartridge cool down before charging it.
4. **Charge the Nickel Metal Hydride battery cartridge when you do not use it for more than six months.**

FUNCTIONAL DESCRIPTION

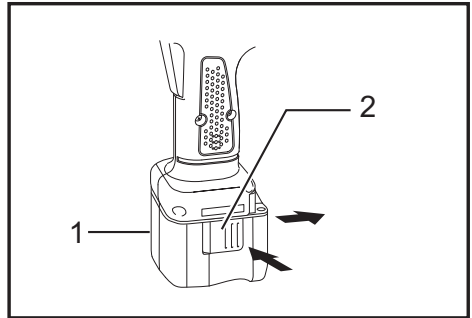
⚠ CAUTION:

- Always be sure that the tool is switched off and the battery cartridge is removed before adjusting or checking function on the tool.

Installing or removing battery cartridge

- Always switch off the tool before insertion or removal of the battery cartridge.

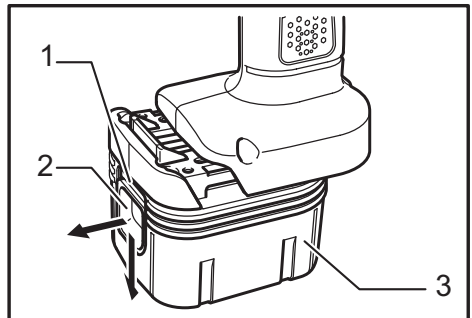
For Models BFT020F, BFT040F, BFT080F, BFT122F



► 1. Battery cartridge 2. Button

- To remove the battery cartridge, withdraw it from the tool while pressing the buttons on both sides of the cartridge.
- To insert the battery cartridge, align the tongue on the battery cartridge with the groove in the housing and slip it into place. Always insert it all the way until it locks in place with a little click. If not, it may accidentally fall out of the tool, causing injury to you or someone around you.

For Model BFT042F, BFT081F, BFT123F



► 1. Red part 2. Button 3. Battery cartridge

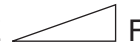







- To remove the battery cartridge, withdraw it from the tool while sliding the button on the front of the cartridge.
- To insert the battery cartridge, align the tongue on the battery cartridge with the groove in the housing and slip it into place. Always insert it all the way until it locks in place with a little click. If you can see the red part on the upper side of the button, it is not locked completely. Insert it fully until the red part cannot be seen. If not, it may accidentally fall out of the tool, causing injury to you or someone around you.
- Do not use force when inserting the battery cartridge. If the cartridge does not slide in easily, it is not being inserted correctly.














Refresh charging

Refreshing battery adapter (optional accessory) can refresh an inactive battery cartridge.

- Refresh charging should be done once a week.
- When you charge a new battery cartridge or a battery cartridge that has not been used for a long time, it may not accept a full charge. In this case, refresh charging must be done. The battery cartridge may decrease the tool performance, because the chemical substance of the battery cartridge is inactive.

Checking the remaining battery capacity

Indicating lamp		Capacity
(C)	E  F	
○		
●		80% - 100%
●		60% - 80%
●		40% - 60%
●		10% - 40%
 orange		0% - 10%

Indicating lamp		Capacity
E	 F	
		
		80% - 100%
		60% - 80%
		40% - 60%
		10% - 40%
 orange		0% - 10%

For BH9020A, BH9033A

When charging

When the charging begins, the first (far left) indicating lamp begins to flicker. Then, as charging proceeds, the other lamps light, one after the other, to indicate the battery capacity.

When using

When the tool is switched on, the lamps will light after 2 seconds to indicate the remaining battery capacity. When the tool is switched off, the light goes out. If the battery has not been used for a long time, or is needed refresh charging, the orange lamp begins to flicker. Use Makita refreshing adapter to refresh the battery.

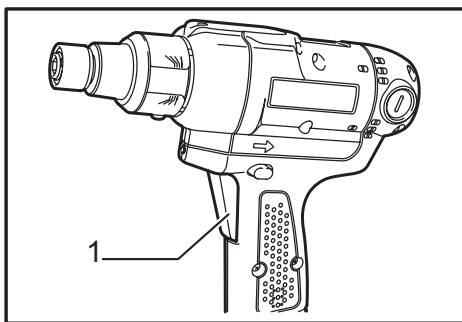
⚠ CAUTION:

- A battery cartridge extracted from the charger that has been unplugged with the battery cartridge inserted does not indicate the battery capacity due to its protective function even if the tool is switched on after the battery insertion into the tool. At this time, recharge it for about five seconds before use.

NOTE:

- Please contact Makita Authorized or Factory Service Center if the warning lamp of the battery cartridge does not light up when using or charging.

Switch action



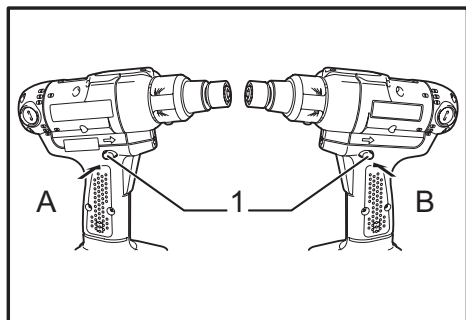
- ▶ 1. Switch trigger

⚠ CAUTION:

- Before inserting the battery cartridge into the tool, always check to see that the switch trigger actuates properly and returns to the "OFF" position when released.

To start the tool, simply pull the switch trigger. Release the switch trigger to stop.

Reversing switch action



► 1. Reversing switch lever

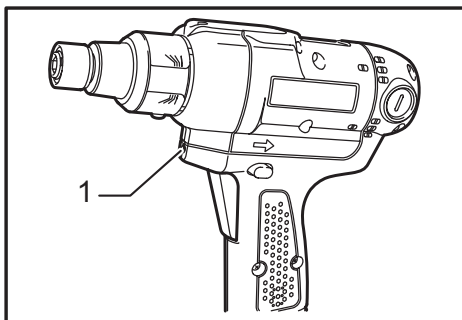
⚠ CAUTION:

- Always check the direction of rotation before operation.
- Use the reversing switch only after the tool comes to a complete stop. Changing the direction of rotation before the tool stops may damage the tool.
- When not operating the tool, always set the reversing switch lever to the neutral position.

This tool has a reversing switch to change the direction of rotation. Depress the reversing switch lever from the A side for clockwise rotation or from the B side for counterclockwise rotation.

When the reversing switch lever is in the neutral position, the switch trigger cannot be pulled.

Lighting up the lamps



► 1. Front lamp

⚠ CAUTION:

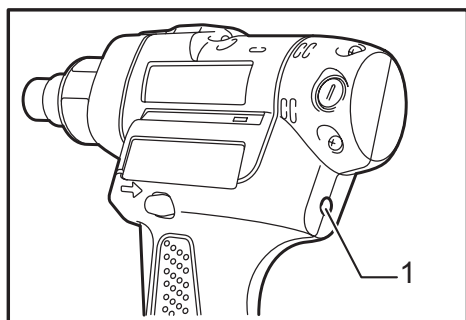
- Do not look in the light or see the source of light directly.

Pull the switch trigger to light up the lamp. The lamp keeps on lighting while the switch trigger is being pulled. The light automatically goes out 10 seconds after the switch trigger is released.

NOTE:

- Use a dry cloth to wipe the dirt off the lens of lamp. Be careful not to scratch the lens of lamp, or it may lower the illumination.

LED indicator

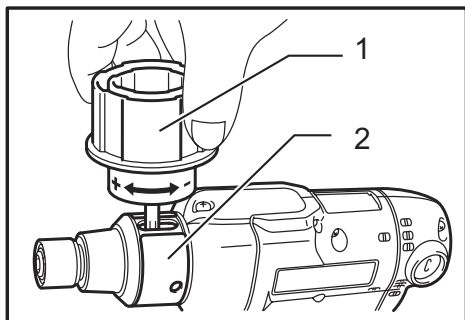


► 1. LED indicator

The lamp on the tool shows the following functions.

Function	Status	Status of the LED indicator/beeper		Action to be taken
		LED indicator	Beeper	
Auto-stop fastening	This function works when the tool has reached the preset fastening torque and normal tightening has been completed. This helps overtightening to be avoided.	Lights up in green for approximately one second.	—	—
Delayed re-start	For approximately one second after auto-stop fastening, the tool does not start even if the switch trigger is pulled.			
Warning against insufficient fastening	Insufficient fastening has been performed when the switch trigger has released before reaching the preset fastening torque.	Lights up in red.	A long beep	Retighten the screw
Warning for battery cartridge capacity	This indicates the appropriate time to replace the battery cartridge when the battery power becomes low.	Flickers in red slowly.	A series of long beeps	Replace the battery with fully charged one
Checking the remaining battery capacity, Autostop	This function works when the battery power is almost used up. At this time, tool stops immediately.	Lights up in red.	A long beep	Replace the battery with fully charged one
Check the LED indicator, light and beeper operation	This function works to check the proper operation of the LED indicator, light and beeper when a battery cartridge has been inserted into the tool.	Lights up first in green, next red. (And then the light comes on.)	A series of very short beeps	—
Anti-reset of controller	This function works when an abnormal drop of the battery voltage occurs for some reason, and the tool stops.	Flickers in red and green alternatively.	A series of short beeps	Replace the battery with fully charged one
Overheat	This function works when the temperature of the controller goes up very highly, and the tool stops.	Flickers in red quickly.	A series of short beeps	Remove the battery cartridge immediately and cool the tool down.
Operation error of the switch trigger	This function works to avoid the tool's immediate start upon insertion of battery cartridge into the tool with the switch trigger being pulled.	Flickers in red and green alternatively.	A series of short beeps	Release the switch trigger.

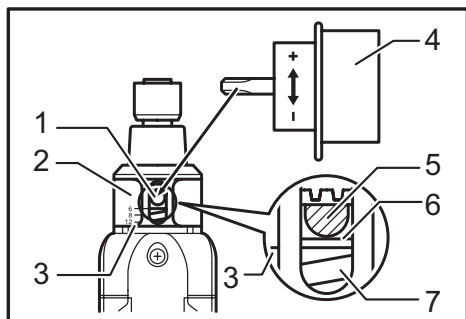
Adjusting the fastening torque



► 1. Adjusting ring 2. Ring

When you wish to drive machine screws, wood screws, hex bolts, etc. with the predetermined torque, adjusting the fastening torque as follows.

1. First remove the battery cartridge from the tool.
2. Loosen and remove the screw that secures ring.
3. Rotate the ring in the front of the tool by hand so that a hole can be seen below the ring.
4. Place the battery cartridge in place and pull the switch trigger. Release it so that the adjusting ring rotates and becomes visible in the hole. And then remove the battery cartridge.



► 1. Adjusting ring 2. Ring 3. Scale 4. Adjust grip 5. Hole for adjust grip 6. Yellow line 7. Compression spring

5. Use an optional adjusting grip to adjust the fastening torque. Insert the pin of the adjusting grip into the hole in the front of the tool. And then, turn the adjusting grip clockwise to set a greater fastening torque, and counterclockwise to set a smaller fastening torque.
6. Align the yellow line with your desired number on the fastening torque scale.
7. Insert the battery cartridge and be sure that a fastening torque has been set up by using a fastening torque tester.
8. Rotate the ring in front of the tool and then tighten the screw to secure the ring.

NOTE:

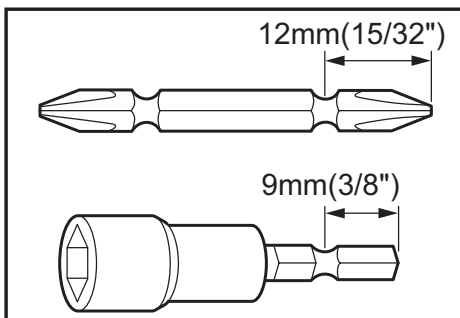
- Numbers on the fastening torque scale is a guideline to set up your desired fastening torque.

ASSEMBLY

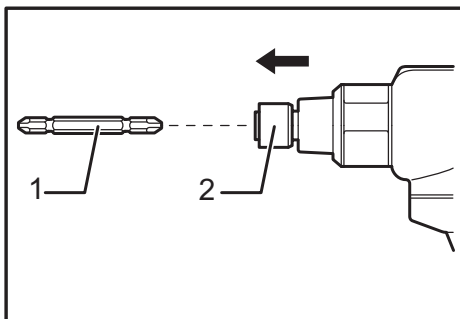
CAUTION:

- Always be sure that the tool is switched off and the battery cartridge is removed before carrying out any work on the tool.

Installing or removing driver bit or socket bit



Use only the driver bit or socket bit shown in the figure. Do not use any other driver bit or socket bit. To install the bit, pull the sleeve in the direction of the arrow and insert the bit into the sleeve as far as it will go. Then release the sleeve to secure the bit.



► 1. Bit 2. Sleeve

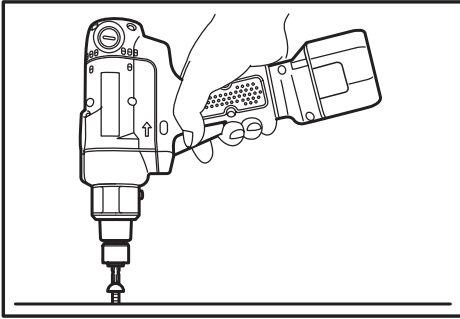
To remove the bit, pull the sleeve in the direction of the arrow and pull the bit out firmly.

NOTE:

- If the bit is not inserted deep enough into the sleeve, the sleeve will not return to its original position and the bit will not be secured. In this case, try re-inserting the bit according to the instructions above.

OPERATION

Screwdriving operation



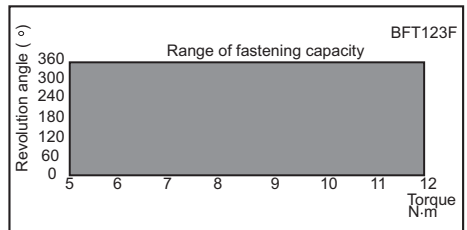
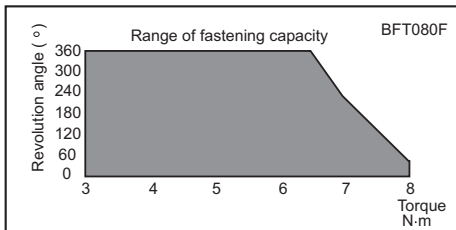
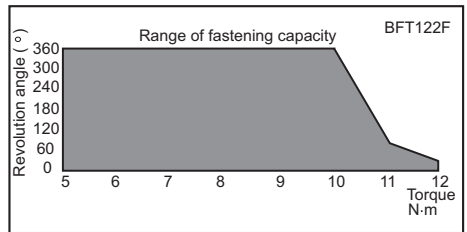
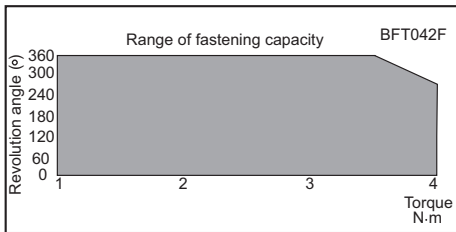
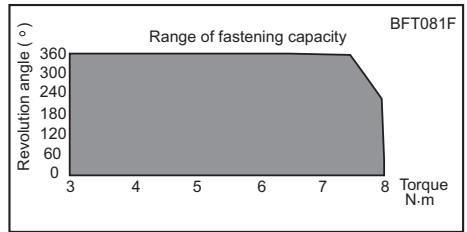
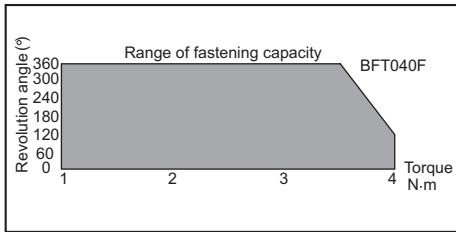
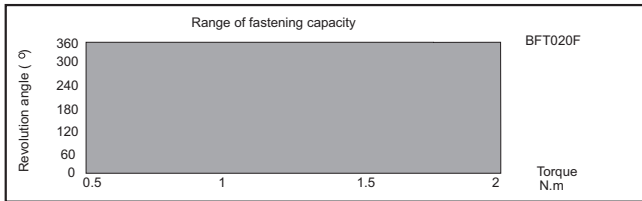
Place the point of the driver bit in the screw head and apply pressure to the tool. Then switch the tool on. When the clutch cuts in, the motor will stop automatically. Then release the switch trigger.

NOTE:

- Make sure that the driver bit is inserted straight in the screw head, or the screw and/or bit may be damaged.

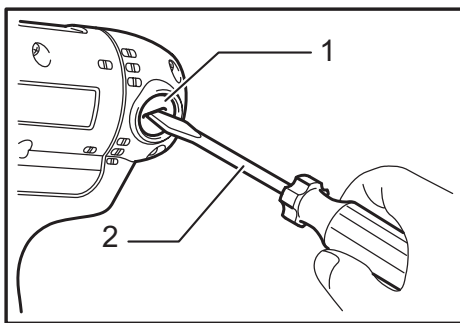
Limits of fastening capacity

Use the tool within the limits of fastening capacity. If you use the tool beyond the limits, the clutch does not work. And the tool cannot deliver enough fastening torque.



NOTE:

- The revolution angle means the angle which a screw/bolt revolves when the tool attains to 100% from 50% of desired torque.
- Use of a low temperature conditioned battery cartridge may sometimes give warning for battery cartridge capacity by warning lamp and beeper which makes the tool stop immediately. In this case, the range of fastening capacity may be inferior to those shown in the above even if a charged battery cartridge is used.



► 1. Brush holder cap 2. Screwdriver

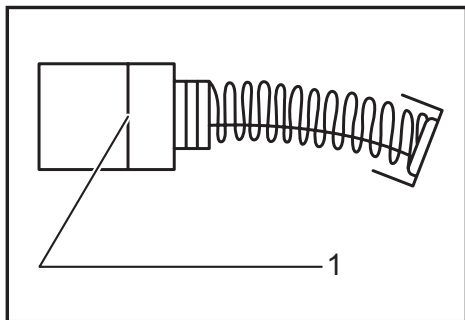
MAINTENANCE

CAUTION:

- Always be sure that the tool is switched off and the battery cartridge is removed before attempting to perform inspection or maintenance.
- Never use gasoline, benzene, thinner, alcohol or the like. Discoloration, deformation or cracks may result.

To maintain product SAFETY and RELIABILITY, repairs, any other maintenance or adjustment should be performed by Makita Authorized or Factory Service Centers, always using Makita replacement parts.

Replacing carbon brushes



► 1. Limit mark

Remove and check the carbon brushes regularly. Replace when they wear down to the limit mark. Keep the carbon brushes clean and free to slip in the holders. Both carbon brushes should be replaced at the same time. Use only identical carbon brushes. Use a screwdriver to remove the brush holder caps. Take out the worn carbon brushes, insert the new ones and secure the brush holder caps.

OPTIONAL ACCESSORIES

CAUTION:

- These accessories or attachments are recommended for use with your Makita tool specified in this manual. The use of any other accessories or attachments might present a risk of injury to persons. Only use accessory or attachment for its stated purpose.

If you need any assistance for more details regarding these accessories, ask your local Makita Service Center.

- Various type of Makita genuine batteries and chargers
- Automatic refreshing adapter
- Adjust grip
- Protector
- Grip Base Set
- Grip 37
- Anti kickback head

NOTE: Some items in the list may be included in the tool package as standard accessories. They may differ from country to country.

MAKITA LIMITED WARRANTY

Please refer to the annexed warranty sheet for the most current warranty terms applicable to this product. If annexed warranty sheet is not available, refer to the warranty details set forth at below website for your respective country.

United States of America: www.makitatools.com

Canada: www.makita.ca

Other countries: www.makita.com

SPÉCIFICATIONS

Modèle		BFT020F	BFT040F	BFT080F	BFT122F	BFT042F	BFT081F	BFT123F
Couple de serrage	Joint rigide	0,5 - 2 N•m (4,4 - 17,8 in•lbs)	1 - 4 N•m (8,9 - 35,4 in•lbs)	3 - 8 N•m (26,6 - 70,8 in•lbs)	5 - 12 N•m (44,3 - 106 in•lbs)	1 - 4 N•m (8,9 - 35,4 in•lbs)	3 - 8 N•m (26,6 - 70,8 in•lbs)	5 - 12 N•m (44,3 - 106 in•lbs)
	Joint souple	0,5 - 2 N•m (4,4 - 17,8 in•lbs)	1 - 3,5 N•m (8,9 - 31 in•lbs)	3 - 6,5 N•m (26,6 - 57,5 in•lbs)	5 - 10 N•m (44,3 - 88,5 in•lbs)	1 - 3,5 N•m (8,9 - 31 in•lbs)	3 - 7,5 N•m (26,6 - 66,4 in•lbs)	5 - 12 N•m (44,3 - 106 in•lbs)
Vitesse à vide (T/MIN)		540 /min.	950 /min.	540 /min.	320 /min.	1 200 /min.	700 /min.	390 /min.
Dimensions		200 x 65 x 251 mm (7-7/8" x 2-9/16" x 9-7/8") (avec la batterie BH9020/BH9020A)				200 x 71 x 242 mm (7-7/8" x 2-13/16" x 9-1/2") (avec la batterie BH1220C)		
		200 x 65 x 274 mm (7-7/8" x 2-9/16" x 10-3/4") (avec la batterie BH9033/BH9033A)				200 x 71 x 251 mm (7-7/8" x 2-13/16" x 9-7/8") (avec la batterie BH1233C)		
Poids net		1,4 kg (3,1lbs.)				1,5 kg (3,3 lbs.)	1,5 kg (3,4 lbs.)	

- Étant donné l'évolution constante de notre programme de recherche et de développement, les caractéristiques techniques contenues dans ce manuel peuvent être modifiées sans préavis.
- Les caractéristiques techniques et la batterie peuvent varier suivant les pays.
- Poids, batterie comprise, conforme à la procédure EPTA de 01/2003

Consignes de sécurité générales pour outils électriques

⚠ MISE EN GARDE Veuillez lire toutes les mises en garde de sécurité et toutes les instructions. L'ignorance des mises en garde et des instructions comporte un risque de choc électrique, d'incendie et/ou de blessure grave.

Conservez toutes les mises en garde et instructions pour référence future.

Le terme « outil électrique » qui figure dans les avertissements fait référence à un outil électrique branché sur une prise de courant (par un cordon d'alimentation) ou alimenté par batterie (sans fil).

Sécurité de la zone de travail

1. **Maintenez la zone de travail propre et bien éclairée.** Les zones de travail encombrées ou sombres ouvrent grande la porte aux accidents.
2. **N'utilisez pas les outils électriques dans les atmosphères explosives, par exemple en présence de liquides, gaz ou poussières inflammables.** Les outils électriques produisent des étincelles au contact desquelles la poussière ou les vapeurs peuvent s'enflammer.
3. **Assurez-vous qu'aucun enfant ou curieux ne s'approche pendant que vous utilisez un outil électrique.** Vous risquez de perdre la maîtrise de l'outil si votre attention est détournée.

Sécurité en matière d'électricité

4. **Les fiches d'outil électrique sont conçues pour s'adapter parfaitement aux prises de courant. Ne modifiez jamais la fiche de quelque façon que ce soit. N'utilisez aucun adaptateur de fiche sur les outils électriques avec mise à la terre.** En ne modifiant pas les fiches et en les insérant dans des prises de courant pour lesquelles elles ont été conçues vous réduirez les risques de choc électrique.

5. **Évitez tout contact corporel avec les surfaces mises à la terre, telles que les tuyaux, radiateurs, cuisinières et réfrigérateurs.** Le risque de choc électrique est plus élevé si votre corps se trouve mis à la terre.
6. **N'exposez pas les outils électriques à la pluie ou à l'eau.** La présence d'eau dans un outil électrique augmente le risque de choc électrique.
7. **Ne maltraitez pas le cordon. N'utilisez jamais le cordon pour transporter, tirer ou débrancher l'outil électrique. Maintenez le cordon à l'écart des sources de chaleur, de l'huile, des objets à bords tranchants et des pièces en mouvement.** Le risque de choc électrique est plus élevé lorsque les cordons sont endommagés ou enchevêtrés.
8. **Lorsque vous utilisez un outil électrique à l'extérieur, utilisez un cordon prolongateur prévu à cette fin.** Les risques de choc électrique sont moindres lorsqu'un cordon conçu pour l'extérieur est utilisé.
9. **Si vous devez utiliser un outil électrique dans un endroit humide, utilisez une source d'alimentation protégée par un disjoncteur de fuite à la terre.** L'utilisation d'un disjoncteur de fuite à la terre réduit le risque de choc électrique.

Sécurité personnelle

10. **Restez alerte, attentif à vos mouvements et faites preuve de bon sens lorsque vous utilisez un outil électrique. Évitez d'utiliser un outil électrique si vous êtes fatigué ou si vous avez pris une drogue, de l'alcool ou un médicament.** Un moment d'inattention pendant l'utilisation d'un outil électrique peut entraîner une grave blessure.
11. **Portez des dispositifs de protection personnelle. Portez toujours un protecteur pour la vue.** Les risques de blessure seront moins élevés si vous utilisez des dispositifs de protection tels qu'un masque antipoussières, des chaussures à semelle antidérapante, une coiffure résistante ou une protection d'oreilles.

12. **Évitez les démarrages accidentels. Assurez-vous que l'interrupteur soit en position d'arrêt avant de brancher l'outil à la prise électrique et/ou au bloc-piles, avant de prendre ou de transporter l'outil.** Vous ouvrez la porte aux accidents si vous transportez les outils électriques avec le doigt sur l'interrupteur ou si vous les branchez alors que l'interrupteur est en position de marche.
13. **Retirez toute clé de réglage ou de serrage avant de mettre l'outil sous tension.** Toute clé laissée en place sur une pièce rotative de l'outil électrique peut entraîner une blessure.
14. **Maintenez une bonne position. Assurez-vous d'une bonne prise au sol et d'une bonne position d'équilibre en tout temps.** Cela vous permettra d'avoir une meilleure maîtrise de l'outil dans les situations imprévues.
15. **Portez des vêtements adéquats. Ne portez ni vêtements amples ni bijoux. Vous devez maintenir cheveux, vêtements et gants à l'écart des pièces en mouvement.** Les pièces en mouvement peuvent happer les vêtements amples, les bijoux et les cheveux longs.
16. **Si des accessoires sont fournis pour raccorder un appareil d'aspiration et de collecte de la poussière, assurez-vous qu'ils sont correctement raccordés et qu'ils sont utilisés de manière adéquate.** L'utilisation d'un appareil d'aspiration permet de réduire les risques liés à la présence de poussière dans l'air.

Utilisation et entretien des outils électriques

17. **Ne forcez pas l'outil électrique. Utilisez l'outil électrique adéquat suivant le type de travail à effectuer.** Si vous utilisez l'outil électrique adéquat et respectez le régime pour lequel il a été conçu, il effectuera un travail de meilleure qualité et de façon plus sécuritaire.
18. **N'utilisez pas l'outil électrique s'il n'est pas possible de mettre sa gâchette en position de marche et d'arrêt.** Un outil électrique dont l'interrupteur est défectueux représente un danger et doit être réparé.
19. **Débranchez la fiche de la source d'alimentation et/ou retirez le bloc-piles de l'outil électrique avant d'effectuer tout réglage, de changer un accessoire ou de ranger l'outil électrique.** De telles mesures préventives réduisent les risques de démarrage accidentel de l'outil électrique.
20. **Après l'utilisation d'un outil électrique, rangez-le hors de portée des enfants et ne laissez aucune personne l'utiliser si elle n'est pas familiarisée avec l'outil électrique ou les présentes instructions d'utilisation.** Les outils électriques représentent un danger entre les mains de personnes qui n'en connaissent pas le mode d'utilisation.
21. **Veillez à l'entretien des outils électriques. Assurez-vous que les pièces mobiles ne sont pas désalignées ou coincées, qu'aucune pièce n'est cassée et que l'outil électrique n'a subi aucun dommage affectant son bon fonctionnement. Le cas échéant, faites réparer l'outil électrique avant de l'utiliser.** De nombreux accidents sont causés par des outils électriques mal entretenus.
22. **Maintenez les outils tranchants bien aiguisés et propres.** Un outil tranchant dont l'entretien est effectué correctement et dont les bords sont bien aiguisés risquera moins de se coincer et sera plus facile à maîtriser.

23. **Utilisez l'outil électrique, ses accessoires, ses embouts, etc., en respectant les présentes instructions, en tenant compte des conditions de travail et du type de travail à effectuer.** L'utilisation d'un outil électrique à des fins autres que celles prévues peut entraîner une situation dangereuse.

Utilisation et entretien des outils alimentés par batterie

24. **Pour recharger, utilisez uniquement le chargeur spécifié par le fabricant.** L'utilisation d'un chargeur conçu pour un type donné de bloc-piles comporte un risque d'incendie lorsqu'il est utilisé avec un autre type de bloc-piles.
25. **N'utilisez un outil électrique qu'avec le bloc-piles conçu spécifiquement pour cet outil.** Il y a un risque de blessure ou d'incendie si un autre bloc-piles est utilisé.
26. **Lorsque vous n'utilisez pas le bloc-piles, rangez-le à l'écart des objets métalliques tels que trombones, pièces de monnaie, clés, clous, vis ou autres petits objets métalliques qui risquent d'établir une connexion entre les bornes.** La mise en court-circuit des bornes de batterie peut causer des brûlures ou un incendie.
27. **Dans des conditions d'utilisation inadéquates de la batterie, il peut y avoir fuite d'électrolyte; évitez tout contact avec ce liquide. En cas de contact accidentel, rincez avec beaucoup d'eau. Si le liquide pénètre dans vos yeux, il faut aussi consulter un médecin.** L'électrolyte qui s'échappe de la batterie peut causer des irritations ou des brûlures.

Réparation

28. **Faites réparer votre outil électrique par un réparateur qualifié qui utilise des pièces de rechange identiques aux pièces d'origine.** Le maintien de la sûreté de l'outil électrique sera ainsi assuré.
29. **Suivez les instructions de lubrification et de changement des accessoires.**
30. **Maintenez les poignées de l'outil sèches, propres et exemptes d'huile ou de graisse.**

CONSIGNES DE SÉCURITÉ POUR LE TOURNEVIS SANS FIL

1. **Tenez l'outil par ses surfaces de prise isolées pendant toute opération où l'accessoire de fixation pourrait venir en contact avec un câblage dissimulé.** En cas de contact avec un conducteur sous tension, les pièces métalliques à découvert de l'outil pourraient devenir sous tension et risqueraient de transmettre une décharge électrique à l'utilisateur.
2. **Adoptez toujours une position de travail vous assurant d'un bon équilibre. Assurez-vous qu'il n'y a personne plus bas lorsque vous utilisez l'outil en position élevée.**
3. **Tenez l'outil fermement.**
4. **Gardez les mains éloignées des pièces en rotation.**
5. **Ne touchez ni la fraise, ni la pièce à travailler immédiatement après l'utilisation ; elles peuvent être extrêmement chaudes et vous pourriez vous brûler la peau.**

CONSERVEZ CE MODE D'EMPLOI.

⚠ MISE EN GARDE : NE VOUS LAISSEZ PAS tromper (au fil d'une utilisation répétée) par un sentiment d'aisance ou de familiarité avec le produit en négligeant les consignes de sécurité qui accompagnent le produit. L'utilisation non sécuritaire ou incorrecte de cet outil comporte un risque de blessure grave.

Symboles

Les symboles utilisés pour l'outil sont indiqués ci-dessous.

V	volts
—	courant continu
n ₀	vitesse à vide
... /min	tours ou alternances par minute
r /min	

CONSIGNES DE SÉCURITÉ IMPORTANTES

POUR LA BATTERIE

- Avant d'utiliser la batterie, lisez toutes les instructions et précautions relatives (1) au chargeur de batterie, (2) à la batterie, et (3) à l'outil utilisant la batterie.
- Ne démontez pas la batterie.
- Cessez immédiatement l'utilisation si le temps de fonctionnement devient excessivement court. Il y a risque de surchauffe, de brûlures, voire d'explosion.
- Si l'électrolyte pénètre dans vos yeux, rincez-les à l'eau claire et consultez immédiatement un médecin. Il y a risque de perte de la vue.
- Ne court-circuitez pas la batterie :
 - Ne touchez les bornes avec aucun matériau conducteur.
 - Évitez de ranger la batterie dans un conteneur avec d'autres objets métalliques, par exemple des clous, des pièces de monnaie, etc.
 - N'exposez pas la batterie à l'eau ou à la pluie. Un court-circuit de la batterie pourrait provoquer un fort courant, une surchauffe, parfois des brûlures et même une panne.
- Ne rangez pas l'outil ou la batterie dans des endroits où la température risque d'atteindre ou de dépasser 50°C (122°F).
- Ne jetez pas la batterie au feu même si elle est sérieusement endommagée ou complètement épuisée. La batterie peut exploser au contact du feu.
- Prenez garde d'échapper ou de heurter la batterie.
- N'utilisez pas une batterie tombée ou heurtée.

CONSERVEZ CE MODE D'EMPLOI.

Conseils pour obtenir la durée de service maximale de la batterie

- Rechargez la batterie avant qu'elle ne soit complètement déchargée. Arrêtez toujours l'outil et rechargez la batterie quand vous remarquez que la puissance de l'outil diminue.
- Ne rechargez jamais une batterie complètement chargée. La surcharge réduit la durée de service de la batterie.
- Rechargez la batterie à une température ambiante comprise entre 10°C et 40°C (50°F - 104°F). Si la batterie est chaude, laissez-la refroidir avant de la recharger.
- Rechargez la batterie à hydrure métallique de nickel lorsqu'elle reste inutilisée pour plus de six mois.

DESCRIPTION DU FONCTIONNEMENT

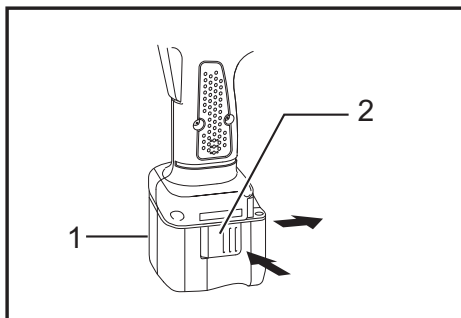
⚠ ATTENTION :

- Assurez-vous toujours que l'outil est hors tension et que sa batterie est retirée avant de l'ajuster ou de vérifier son fonctionnement.

Installation ou retrait de la batterie

- Mettez toujours l'outil hors tension avant d'insérer ou de retirer la batterie.

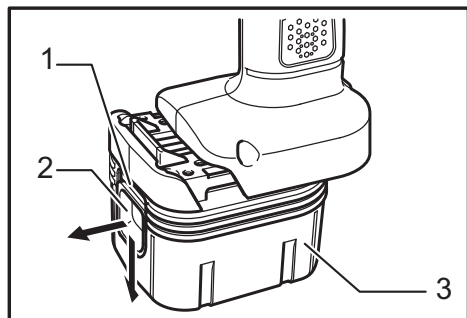
Pour les modèles BFT020F, BFT040F, BFT080F et BFT122F



► 1. Batterie 2. Bouton

- Pour retirer la batterie, sortez-la de l'outil tout en appuyant sur les boutons des deux côtés de la batterie.
- Pour insérer la batterie, alignez sa languette sur l'entaille qui se trouve à l'intérieur du carter, puis glissez la batterie pour la mettre en place. Insérez-la toujours bien à fond, jusqu'à ce qu'elle se verrouille en émettant un léger bruit sec. Sinon, elle risque de tomber accidentellement de l'outil, en vous blessant ou en blessant une personne qui se trouve près de vous.

Pour les modèles BFT042F, BFT081F, BFT123F



► 1. Partie rouge 2. Bouton 3. Batterie

- Pour retirer la batterie, sortez-la de l'outil tout en faisant glisser le bouton à l'avant de la batterie.
- Pour insérer la batterie, alignez sa languette sur l'entaille qui se trouve à l'intérieur du carter, puis glissez la batterie pour la mettre en place. Insérez-la toujours bien à fond, jusqu'à ce qu'elle se verrouille en émettant un léger clic. Si vous pouvez voir la partie rouge de la face supérieure du bouton, la batterie n'est pas parfaitement verrouillée. Insérez-la à fond, jusqu'à ce que la partie rouge ne soit plus visible. Sinon, elle risque de tomber accidentellement de l'outil, en vous blessant ou en blessant une personne se trouvant près de vous.
- N'appliquez pas une force excessive lors de l'insertion de la batterie. Si la batterie ne glisse pas aisément, c'est qu'elle n'est pas insérée correctement.

Charge de remise en condition

L'adaptateur de batterie de régénération (accessoire en option) permet de régénérer une pile inactive.

- La charge de remise en condition doit être effectuée une fois par semaine.
- Lorsque vous chargez une batterie neuve ou une batterie restée inutilisée pendant une période prolongée, il se peut que la charge complète ne soit pas possible. Dans ce cas, une charge de remise en condition doit être effectuée. Sinon, il se peut que l'utilisation de cette batterie entraîne une diminution de la performance de l'outil, puisque la substance chimique qu'elle contient est inactive.

Vérification du niveau de charge de la batterie

Témoin indicateur			Capacité
(C)	E	F	
○	□ □ □	□ □ □	
●	■ ■ ■	□ □ □	80% - 100%
●	■ ■ □	□ □ □	60% - 80%
●	■ □ □	□ □ □	40% - 60%
●	□ □ □	□ □ □	10% - 40%
☀ orange	□ □ □	□ □ □	0% - 10%

Témoin indicateur			Capacité
E	F		
□	□	□ □ □	
■	■ ■ ■	□ □ □	80% - 100%
■	■ ■ □	□ □ □	60% - 80%
■	■ □ □	□ □ □	40% - 60%
■	□ □ □	□ □ □	10% - 40%
☀ orange	□ □ □	□ □ □	0% - 10%

Pour BH9020A, BH9033A

Pendant la charge

Lorsque la charge commence, le premier témoin indicateur (à l'extrême gauche) commence à clignoter. Puis, à mesure que la batterie se charge, les autres témoins s'allument un après l'autre pour indiquer le niveau de charge de la batterie.

Pendant l'utilisation

Les témoins s'allument 2 secondes après la mise sous tension de l'outil pour indiquer la charge restante de la batterie. La lumière s'éteint à la mise hors tension de l'outil. Si la batterie est demeurée inutilisée pour une période prolongée ou si une charge de remise en condition est nécessaire, le témoin orange se met à clignoter. Utilisez l'adaptateur de remise en condition Makita pour remettre la batterie en condition.

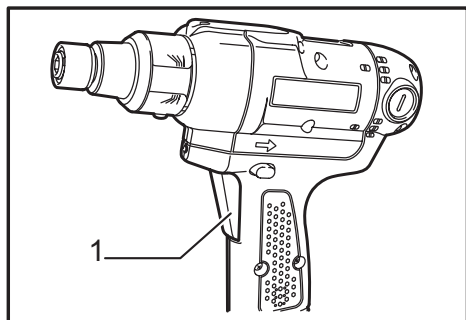
⚠ ATTENTION :

- À cause de la fonction de protection de la batterie, la charge restante n'est pas indiquée si vous l'insérez dans l'outil et mettez ce dernier sous tension après avoir débranché le chargeur sans avoir d'abord retiré la batterie. Il faut alors recharger la batterie pendant environ cinq secondes avant de l'utiliser.

NOTE :

- Si le témoin d'avertissement de la batterie ne s'allume pas pendant l'utilisation ou la charge, veuillez contacter un centre de service Makita agréé ou un centre de service de l'usine Makita.

Interrupteur



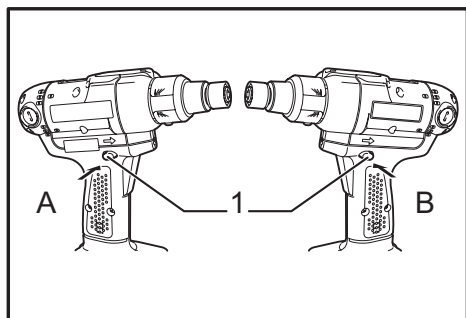
► 1. Gâchette

⚠ ATTENTION :

- Avant d'insérer la batterie dans l'outil, vérifiez toujours que la gâchette fonctionne bien et revient en position d'arrêt lorsque relâchée.

Pour faire démarrer l'outil, appuyez simplement sur la gâchette. Pour l'arrêter, relâchez la gâchette.

Inverseur



► 1. Levier inverseur

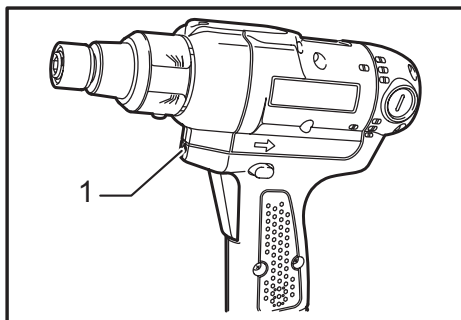
⚠ ATTENTION :

- Vérifiez toujours le sens de rotation avant de mettre l'outil en marche.
- N'actionnez l'inverseur qu'une fois que l'outil est complètement arrêté. Si vous changez le sens de rotation avant l'arrêt de l'outil, vous risquez de l'endommager.
- Lorsque vous n'utilisez pas l'outil, placez toujours le levier inverseur en position neutre.

L'outil possède un inverseur qui permet de changer le sens de rotation. Enfoncez le levier inverseur du côté A pour une rotation dans le sens des aiguilles d'une montre, ou du côté B pour une rotation dans le sens inverse des aiguilles d'une montre.

La pression sur la gâchette n'est pas possible lorsque le levier inverseur se trouve en position neutre.

Allumage de la lampe



► 1. Lampe avant

⚠ ATTENTION :

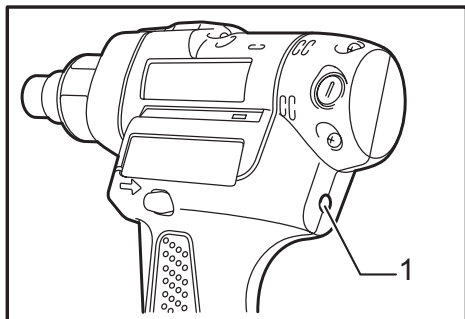
- Evitez de regarder directement le faisceau lumineux ou sa source.

Appuyez sur la gâchette pour allumer la lampe. La lampe demeure allumée tant que la pression sur la gâchette est maintenue. Lorsque vous relâchez la gâchette, la lumière s'éteint au bout de 10 secondes.

NOTE :

- Utilisez un chiffon sec pour essuyer la saleté qui recouvre la lentille de la lampe. Prenez garde de rayer la lentille de la lampe, pour éviter une diminution de l'éclairage.

Témoin DEL

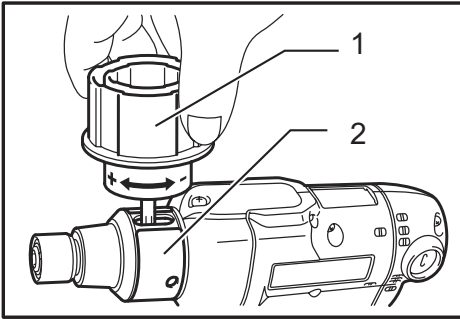


► 1. Témoin DEL

Le témoin de l'outil indique les fonctions suivantes.

Fonction	État	État du témoin DEL / avertisseur sonore		Mesure à prendre
		Témoin DEL	Avertisseur sonore	
Serrage à arrêt automatique	Cette fonction s'active lorsque l'outil a atteint le couple de serrage préréglé et que le serrage s'est effectué normalement. Cela permet d'éviter un serrage excessif.	S'allume en vert pendant environ 1 seconde.	—	—
Redémarrage retardé	Pendant environ une (1) seconde après le serrage à arrêt automatique l'outil ne redémarre pas même si vous appuyez sur la gâchette.			
Avertissement de serrage insuffisant	Un serrage insuffisant a été exécuté parce que la gâchette a été relâchée avant que le couple de serrage préétabli n'ait été atteint.	S'allume en rouge.	Long signal sonore	Resserrer la vis
Avertissement de faible charge de la batterie	Indique le temps approprié pour remplacer la batterie lorsqu'elle devient faible.	Clignote lentement en rouge.	Série de longs signaux sonores	Remplacez la batterie par une autre complètement chargée.
Vérification de la charge restante de la batterie, Arrêt automatique	Cette fonction s'active également lorsque la batterie est presque complètement épuisée. L'outil s'arrête alors immédiatement.	S'allume en rouge.	Long signal sonore	Remplacez la batterie par une autre complètement chargée.
Vérifiez le fonctionnement du témoin DEL, de la lampe et de l'avertisseur sonore.	Cette fonction s'active pour demander de vérifier le bon fonctionnement du témoin DEL, de la lampe et de l'avertisseur sonore lorsqu'une batterie vient d'être insérée dans l'outil.	S'allume d'abord en vert, puis en rouge. (La lampe s'allume ensuite.)	Série de très courts signaux sonores	—
Anti-réinitialisation du contrôleur	Cette fonction s'active lors d'une baisse anormale de la tension de la batterie pour une raison quelconque, et l'outil s'arrête.	Clignote alternativement en rouge et en vert.	Série de courts signaux sonores	Remplacez la batterie par une autre complètement chargée.
Surchauffe	Cette fonction s'active lorsque la température du contrôleur s'élève de manière excessive, et l'outil s'arrête.	Clignote rapidement en rouge.	Série de courts signaux sonores	Retirez immédiatement la batterie et laissez refroidir l'outil.
Erreur de fonctionnement de la gâchette	Cette fonction s'active pour empêcher le démarrage immédiat de l'outil si vous appuyez sur la gâchette juste après avoir inséré une batterie dans l'outil.	Clignote alternativement en rouge et en vert.	Série de courts signaux sonores	Relâchez la gâchette.

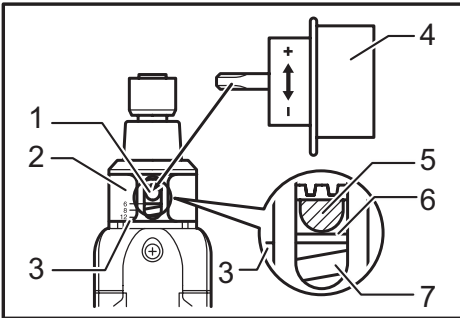
Réglage du couple de serrage



► 1. Bague de réglage 2. Bague

Pour serrer des vis à machine, des vis à bois, des boulons hexagonaux, etc., avec un couple de serrage donné, procédez au réglage du couple de serrage de la façon suivante.

1. Retirez d'abord la batterie de l'outil.
2. Desserrez puis retirez la vis qui retient l'anneau.
3. Tournez manuellement l'anneau à l'avant de l'outil de sorte que l'orifice soit visible sous l'anneau.
4. Mettez la batterie en place et appuyez sur la gâchette. Relâchez-la de sorte que l'anneau de réglage tourne et devienne visible dans l'orifice. Retirez ensuite la batterie.



► 1. Bague de réglage 2. Bague 3. Échelle 4. Poignée de réglage 5. Orifice pour la poignée de réglage 6. Ligne jaune 7. Ressort de compression

5. Utilisez la poignée de réglage en option pour régler le couple de serrage. Insérez la broche de la poignée de réglage dans l'orifice à l'avant de l'outil. Tournez ensuite la poignée de réglage dans le sens des aiguilles d'une montre pour augmenter le couple de serrage, et dans le sens inverse pour le réduire.
6. Alignez la ligne jaune sur le numéro désiré de l'échelle du couple de serrage.
7. Insérez la batterie et assurez-vous que le couple de serrage est bien réglé, au moyen d'un testeur de couple de serrage.
8. Serrez les vis pour fixer le couvercle de la lampe, puis faites tourner l'anneau à l'avant de l'outil jusqu'à ce qu'il se verrouille.

NOTE :

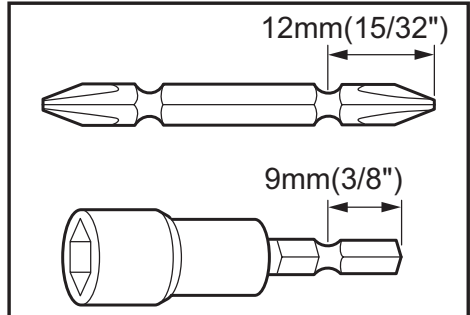
- Les numéros inscrits sur l'échelle du couple de serrage permettent d'effectuer un réglage approximatif sur le couple de serrage désiré.

ASSEMBLAGE

ATTENTION :

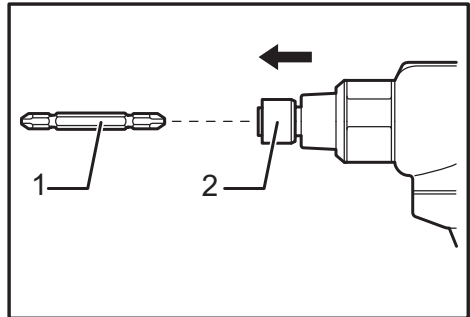
- Assurez-vous toujours que l'outil est hors tension et que sa batterie est retirée avant d'effectuer tout travail dessus.

Installation ou retrait de l'embout ou l'embout à douille



Utilisez exclusivement l'embout ou l'embout à douille du modèle indiqué sur la figure.

Pour installer l'embout, tirer le manchon dans le sens de la flèche et introduire l'embout dans le manchon jusqu'au fond. Lâchez alors le manchon pour immobiliser l'embout.



► 1. Embout 2. Manchon

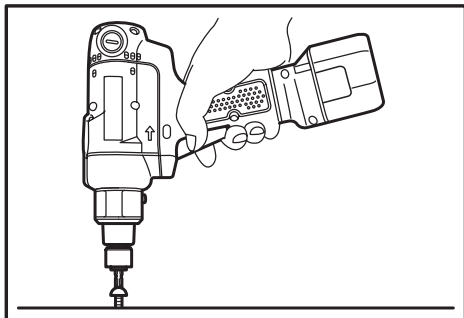
Pour enlever l'embout, tirez le manchon dans la direction de la flèche et tirez fermement l'embout.

NOTE :

- Si l'embout n'est pas inséré assez profondément dans le manchon, celui-ci ne revient pas à sa position d'origine et l'embout ne se trouve pas bien assuré. En ce cas, insérez à nouveau l'embout comme il est dit ci-dessus.

UTILISATION

Vissage



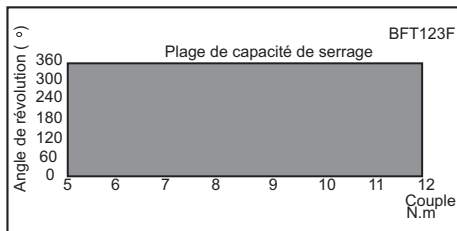
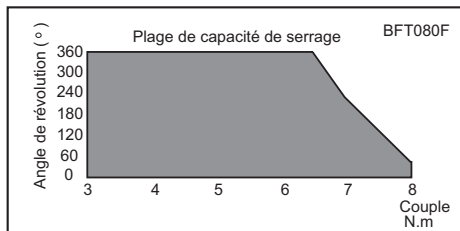
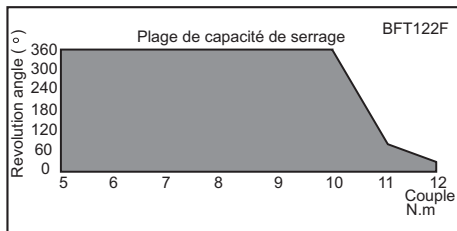
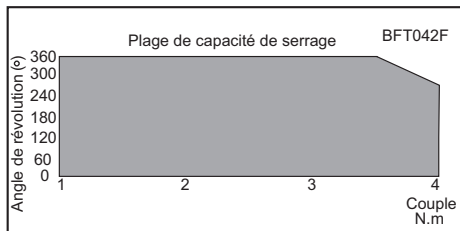
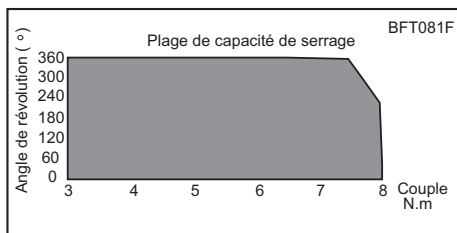
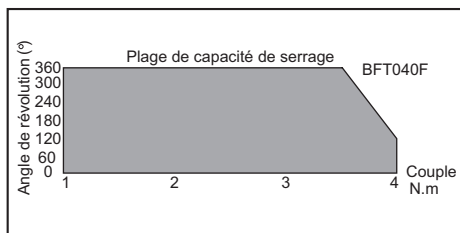
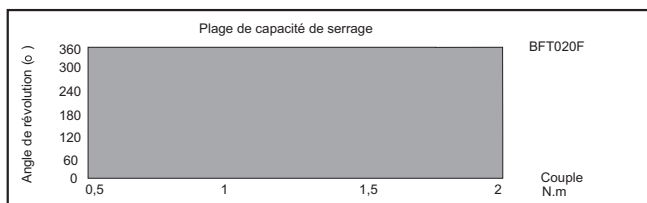
Placez la pointe de l'embout dans la tête de vis et appliquez une pression sur l'outil. Mettez ensuite l'outil sous tension. Lorsque l'embrayage s'active, le moteur s'arrête automatiquement. Relâchez ensuite la gâchette.

NOTE :

- Assurez-vous que l'embout est inséré bien droit dans la tête de vis, sinon la vis et/ou l'embout risque d'être endommagé.

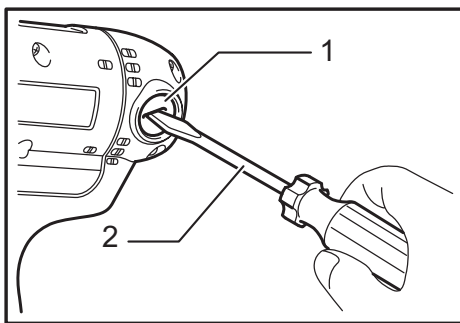
Limites de capacité de serrage

Utilisez l'outil à l'intérieur de ses limites de serrage. Si vous dépassez ces limites lors de l'utilisation, l'embrayage ne fonctionnera plus. De plus, l'outil ne pourra pas fournir un couple de serrage suffisant.



NOTE :

- L'angle de rotation fait référence à l'angle sur lequel une vis ou un boulon tourne lorsque l'outil passe de 50% à 100% du couple désiré.
- Lors de l'utilisation de la batterie à basse température, il arrive parfois qu'un témoin d'avertissement et un avertisseur sonore signalent que la batterie est faible et que l'outil doit être arrêté. À basse température, il se peut également que la plage de capacité de serrage soit inférieure à celle indiquée ci-dessus même avec une batterie pleinement chargée.



► 1. Bouchon de porte-charbon 2. Tournevis

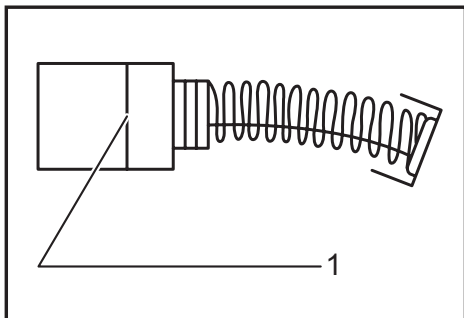
Pour maintenir la SÉCURITÉ et la FIABILITÉ du produit, les réparations, tout autre travail d'entretien ou de réglage doivent être effectués dans un centre de service Makita agréé ou un centre de service de l'usine Makita, exclusivement avec des pièces de rechange Makita.

ENTRETIEN

⚠ ATTENTION :

- Assurez-vous toujours que l'outil est hors tension et que la batterie est retirée avant d'y effectuer tout travail d'inspection ou d'entretien.
- N'utilisez jamais d'essence, de benzine, de solvant, d'alcool ou d'autres produits similaires. Une décoloration, une déformation, ou la formation de fissures peuvent en découler.

Remplacement des charbons



► 1. Trait de limite d'usure

Retirez et vérifiez régulièrement les charbons. Remplacez-les lorsqu'ils sont usés jusqu'au trait de limite d'usure. Maintenez les charbons propres et en état de glisser aisément dans les porte-charbon. Les deux charbons doivent être remplacés en même temps. N'utilisez que des charbons identiques. Utilisez un tournevis pour retirer les bouchons de porte-charbon. Enlevez les charbons usés, insérez-en de nouveaux et revissez solidement les bouchons de porte-charbon.

ACCESSOIRES EN OPTION

⚠ ATTENTION :

- Ces accessoires ou pièces complémentaires sont recommandés pour l'utilisation avec l'outil Makita spécifié dans ce mode d'emploi. L'utilisation de tout autre accessoire ou pièce complémentaire peut comporter un risque de blessure. N'utilisez les accessoires ou pièces qu'aux fins auxquelles ils ont été conçus.

Si vous désirez obtenir plus de détails concernant ces accessoires, veuillez contacter le centre de service après-vente Makita le plus près.

- Les divers types de batteries et chargeurs Makita authentiques
- Adaptateur de régénération automatique
- Poignée de réglage
- Protecteur
- Ensemble poignée
- Poignée 37
- Tête anti-retour

NOTE : Certains éléments de la liste peuvent être inclus avec l'outil comme accessoires standards. Ils peuvent varier suivant les pays.

GARANTIE LIMITÉE MAKITA

Pour les conditions de garantie en vigueur qui s'appliquent à ce produit, veuillez vous reporter à la feuille de garantie en annexe. Si la feuille de garantie en annexe n'est pas disponible, reportez-vous aux détails de la garantie présentés sur le site Web de votre pays, ci-dessous.

États-Unis d'Amérique: www.makitatools.com

Canada: www.makita.ca

Autres pays: www.makita.com

ESPECIFICACIONES

Modelo		BFT020F	BFT040F	BFT080F	BFT122F	BFT042F	BFT081F	BFT123F
Par de fuerza de apriete	Unión fuerte	0,5 N·m - 2 N·m (4,4 - 17,8 in·lbs)	1 N·m - 4 N·m (8,9 - 35,4 in·lbs)	3 N·m - 8 N·m (26,6 - 70,8 in·lbs)	5 N·m - 12 N·m (44,3 - 106 in·lbs)	1 N·m - 4 N·m (8,9 - 35,4 in·lbs)	3 N·m - 8 N·m (26,6 - 70,8 in·lbs)	5 N·m - 12 N·m (44,3 - 106 in·lbs)
	Unión suave	0,5 N·m - 2 N·m (4,4 - 17,8 in·lbs)	1 N·m - 3,5 N·m (8,9 - 31 in·lbs)	3 N·m - 6,5 N·m (26,6 - 57,5 in·lbs)	5 N·m - 10 N·m (44,3 - 88,5 in·lbs)	1 N·m - 3,5 N·m (8,9 - 31 in·lbs)	3 N·m - 7,5 N·m (26,6 - 66,4 in·lbs)	5 N·m - 12 N·m (44,3 - 106 in·lbs)
Revoluciones por minuto (r.p.m.)		540 r/min	950 r/min	540 r/min	320 r/min	1 200 r/min	700 r/min	390 r/min
Dimensiones y características eléctricas		200 mm x 65 mm x 251 mm (7-7/8" x 2-9/16" x 9-7/8") 9,6V c.c. (con cartucho de batería BH9020/BH9020A)				200 mm x 71 mm x 242 mm (7-7/8" x 2-13/16" x 9-1/2") 12V c.c. (con cartucho de batería BH1220C)		
		200 mm x 65 mm x 274 mm (7-7/8" x 2-9/16" x 10-3/4") 9,6V c.c. (con cartucho de batería BH9033/BH9033A)				200 mm x 71 mm x 251 mm (7-7/8" x 2-13/16" x 9-7/8") 12V c.c. (con cartucho de batería BH1233C)		
Peso neto		1,4 kg (3,1lbs.)				1,5 kg (3,3 lbs.)	1,5 kg (3,4 lbs.)	

- Debido a nuestro programa continuo de investigación y desarrollo, las especificaciones aquí dadas están sujetas a cambios sin previo aviso.
- Las especificaciones y el cartucho de la batería pueden variar de país a país.
- Peso de acuerdo al procedimiento de EPTA-01/2003 incluyendo el cartucho de la batería

Advertencias de seguridad generales para herramientas eléctricas

⚠ADVERTENCIA: lea todas las advertencias de seguridad e instrucciones. Si no sigue todas las advertencias e instrucciones indicadas a continuación, podrá ocasionar una descarga eléctrica, un incendio y/o lesiones graves.

Guarde todas las advertencias e instrucciones para su futura referencia.

El término "herramienta eléctrica" se refiere, en todas las advertencias que aparecen a continuación, a su herramienta eléctrica de funcionamiento con conexión a la red eléctrica (con cableado eléctrico) o herramienta eléctrica de funcionamiento a batería (inalámbrica).

Seguridad en el área de trabajo

1. **Mantenga el área de trabajo limpia y bien iluminada.** Las áreas oscuras o desordenadas son propensas a accidentes.
2. **No utilice las herramientas eléctricas en atmósferas explosivas, tal como en la presencia de líquidos, gases o polvo inflamables.** Las herramientas eléctricas crean chispas que pueden prender fuego al polvo o los humos.
3. **Mantenga a los niños y curiosos alejados mientras utiliza una herramienta eléctrica.** Las distracciones le pueden hacer perder el control.

Seguridad eléctrica

4. **Las clavijas de conexión de las herramientas eléctricas deberán encajar perfectamente en la toma de corriente. No modifique nunca la clavija de conexión de ninguna forma. No utilice ninguna clavija adaptadora con herramientas eléctricas que tengan conexión a tierra (puesta a tierra).** La utilización de clavijas no modificadas y que encajen perfectamente en la toma de corriente reducirá el riesgo de que se produzca una descarga eléctrica.

5. **Evite tocar con el cuerpo superficies conectadas a tierra o puestas a tierra tales como tubos, radiadores, cocinas y refrigeradores.** Si su cuerpo es puesto a tierra o conectado a tierra existirá un mayor riesgo de que sufra una descarga eléctrica.
6. **No exponga las herramientas eléctricas a la lluvia ni a condiciones húmedas.** La entrada de agua en una herramienta eléctrica aumentará el riesgo de que se produzca una descarga eléctrica.
7. **No jale el cable. Nunca utilice el cable para transportar, jalar o desconectar la herramienta eléctrica. Mantenga el cable alejado del calor, aceite, objetos cortantes o piezas móviles.** Los cables dañados o atrapados aumentan el riesgo de sufrir una descarga eléctrica.
8. **Cuando utilice una herramienta eléctrica en exteriores, utilice un cable de extensión apropiado para uso en exteriores.** La utilización de un cable apropiado para uso en exteriores reducirá el riesgo de que se produzca una descarga eléctrica.
9. **Si no es posible evitar usar una herramienta eléctrica en condiciones húmedas, utilice un alimentador protegido con interruptor de circuito de falla en tierra (ICFT).** El uso de un ICFT reduce el riesgo de descarga eléctrica.

Seguridad personal

10. **Manténgase alerta, preste atención a lo que está haciendo y utilice su sentido común cuando opere una herramienta eléctrica. No utilice la herramienta eléctrica cuando esté cansado o bajo la influencia de drogas, alcohol o medicamentos.** Un momento de distracción mientras opera la máquina puede dar como resultado heridas personales graves.

11. **Use equipo de protección personal. Póngase siempre protección para los ojos.** El equipo protector tal como máscara contra el polvo, zapatos de seguridad antiderrapantes, casco rígido y protección para oídos utilizado en las condiciones apropiadas reducirá las heridas personales.
12. **Impida el encendido accidental. Asegúrese de que el interruptor esté en la posición de apagado antes de conectar a la alimentación eléctrica y/o de colocar el cartucho de la batería, así como al levantar o cargar la herramienta.** Cargar las herramientas eléctricas con su dedo en el interruptor o enchufarlas con el interruptor encendido hace que los accidentes sean propensos.
13. **Retire cualquier llave de ajuste o llave de apriete antes de encender la herramienta.** Una llave de ajuste o llave de apriete que haya sido dejada puesta en una parte giratoria de la herramienta eléctrica podrá resultar en heridas personales.
14. **No utilice la herramienta donde no alcance. Mantenga los pies sobre suelo firme y el equilibrio en todo momento.** Esto permite un mejor control de la herramienta eléctrica en situaciones inesperadas.
15. **Use vestimenta apropiada. No use ropas sueltas ni joyas. Mantenga el cabello, la ropa y los guantes alejados de las piezas móviles.** Las prendas de vestir holgadas, las joyas y el cabello suelto podrían engancharse en estas piezas móviles.
16. **Si dispone de dispositivos para la conexión de equipos de extracción y recolección de polvo, asegúrese de conectarlos y utilizarlos debidamente.** La utilización de estos dispositivos reduce los riesgos relacionados con el polvo.

Mantenimiento y uso de la herramienta eléctrica

17. **No fuerce la herramienta eléctrica. Utilice la herramienta eléctrica correcta para su aplicación.** La herramienta eléctrica adecuada hará un trabajo mejor a la velocidad para la que ha sido fabricada.
18. **No utilice la herramienta eléctrica si el interruptor no la enciende y apaga.** Cualquier herramienta eléctrica que no pueda ser controlada con el interruptor es peligrosa y debe ser reemplazada.
19. **Desconecte la clavija de la fuente de energía y/o la batería de la herramienta eléctrica antes de realizar ajustes, cambiar accesorios o guardar las herramientas eléctricas.** Dichas medidas de seguridad preventivas reducen el riesgo de que la herramienta se inicie accidentalmente.
20. **Guarde la herramienta eléctrica que no use fuera del alcance de los niños y no permita que las personas que no están familiarizadas con ella o con las instrucciones la operen.** Las herramientas eléctricas son peligrosas en manos de personas que no saben operarlas.
21. **Realice el mantenimiento a las herramientas eléctricas. Compruebe que no haya partes móviles desalineadas o estancadas, piezas rotas y cualquier otra condición que pueda afectar al funcionamiento de la herramienta eléctrica. Si la herramienta eléctrica está**

dañada, haga que se la reparen antes de utilizarla. Muchos accidentes son ocasionados por herramientas eléctricas con un mal mantenimiento.

22. **Mantenga las herramientas de corte limpias y filosas.** Si recibe un mantenimiento adecuado y tiene los bordes afilados, es probable que la herramienta se atasque menos y sea más fácil controlarla.
 23. **Utilice la herramienta eléctrica, así como accesorios, piezas, brocas, etc. de acuerdo con estas instrucciones y de la manera establecida para cada tipo de unidad en particular; tenga en cuenta las condiciones laborales y el trabajo a realizar.** Si utiliza la herramienta eléctrica para realizar operaciones distintas de las indicadas, podrá presentarse una situación peligrosa.
- Uso y cuidado de la herramienta a batería**
24. **Realice la recarga sólo con el cargador especificado por el fabricante.** Un cargador que es adecuado para un solo tipo de batería puede generar riesgo de incendio al ser utilizado con otra batería.
 25. **Utilice las herramientas eléctricas solamente con las baterías designadas específicamente para ellas.** La utilización de cualquier otra batería puede crear un riesgo de heridas o incendio.
 26. **Cuando no se esté usando el cartucho de la batería, manténgalo alejado de otros objetos metálicos, como sujetapapeles (clips), monedas, llaves, clavos, tornillos u otros objetos pequeños de metal los cuales pueden actuar creando una conexión entre las terminales de la batería.** Cerrar el circuito de las terminales de la batería puede causar quemaduras o incendios.
 27. **En condiciones abusivas, podrá escapar líquido de la batería; evite tocarlo. Si lo toca accidentalmente, enjuague con agua. Si hay contacto del líquido con los ojos, acuda por ayuda médica.** Puede que el líquido expulsado de la batería cause irritación o quemaduras.

Servicio de mantenimiento

28. **Haga que una persona calificada repare la herramienta utilizando sólo piezas de repuesto idénticas.** Esto asegura que se mantenga la seguridad de la herramienta eléctrica.
29. **Siga las instrucciones para la lubricación y cambio de accesorios.**
30. **Mantenga las agarraderas secas, limpias y sin aceite o grasa.**

ADVERTENCIAS DE SEGURIDAD DEL ATORNILLADOR INALÁMBRICO

1. **Sujete la herramienta eléctrica por las superficies de agarre aisladas al realizar una operación en la que el porta útil pueda entrar en contacto con cables ocultos.** Si el porta útil entra en contacto con un cable con corriente, las piezas metálicas expuestas de la herramienta eléctrica se cargarán también de corriente y el operario puede recibir una descarga.

2. Asegúrese siempre de que pisa sobre suelo firme.
Asegúrese de que no haya nadie debajo cuando utilice la herramienta en lugares altos.
3. Sostenga la herramienta con firmeza.
4. Mantenga las manos alejadas de las piezas giratorias.
5. No toque la broca o la pieza de trabajo inmediatamente después de utilizarla; podrían estar muy calientes y producirle quemaduras de piel.
5. No cortocircuite el cartucho de batería:
 - (1) No toque las terminales con ningún material conductor.
 - (2) Evite guardar el cartucho de batería en un cajón junto con otros objetos metálicos, tales como clavos, monedas, etc.
 - (3) No exponga la batería al agua o a la lluvia. Si la batería entra en cortocircuito, puede causar sobrecalentamiento, un flujo de corriente mayor, quemaduras posibles e incluso una falla.
6. No guarde la herramienta ni el cartucho de batería en lugares donde la temperatura pueda alcanzar o exceder los 50°C (122°F).
7. Nunca incinere el cartucho de batería incluso en el caso de que esté dañado seriamente o ya no sirva en absoluto. El cartucho de batería puede explotar si se tira al fuego.
8. Tenga cuidado de no dejar caer ni golpear el cartucho de batería.
9. No use una batería que se haya caído al suelo o que se haya golpeado.

GUARDE ESTAS INSTRUCCIONES.

⚠ ADVERTENCIA: NO DEJE que la comodidad o familiaridad con el producto (a base de utilizarlo repetidamente) sustituya la estricta observancia de las normas de seguridad para dicho producto. El MAL USO o el no seguir las normas de seguridad establecidas en este manual de instrucciones puede ocasionar graves lesiones personales.

Símbolos

A continuación se muestran los símbolos utilizados para la herramienta.

V	volts o voltios
— — —	corriente directa o continua
n _o	velocidad en vacío o sin carga
... /min r /min	revoluciones o alternaciones por minuto, frecuencia de rotación

INSTRUCCIONES IMPORTANTES DE SEGURIDAD

PARA CARTUCHO DE BATERÍA

1. Antes de utilizar el cartucho de batería, lea todas las instrucciones e indicaciones de precaución sobre (1) el cargador de baterías, (2) la batería, y (3) el producto con el que se utiliza la batería.
2. No desarme el cartucho de batería.
3. Si el tiempo de operación se ha acortado en exceso, deje de operar de inmediato. Podría correrse el riesgo de sobrecalentamiento, posibles quemaduras e incluso explosión.
4. En caso de que ingresen electrolitos en sus ojos, enjuáguelos bien con agua limpia y consulte de inmediato a un médico. Podría perder la visión.

GUARDE ESTAS INSTRUCCIONES.

Consejos para alargar al máximo la vida útil de la batería

1. Cargue el cartucho de batería antes de que se descargue completamente.
Pare siempre la operación y cargue el cartucho de batería cuando note menos potencia en la herramienta.
2. No cargue nunca un cartucho de batería que esté completamente cargado.
La sobrecarga acortará la vida de servicio de la batería.
3. Cargue el cartucho de batería a temperatura ambiente de 10°C - 40°C (50°F - 104°F). Si un cartucho de batería está caliente, déjelo enfriar antes de cargarlo.
4. Cargue el cartucho de batería de hidruro metálico de níquel cuando no lo utilice durante más de seis meses.

DESCRIPCIÓN DEL FUNCIONAMIENTO

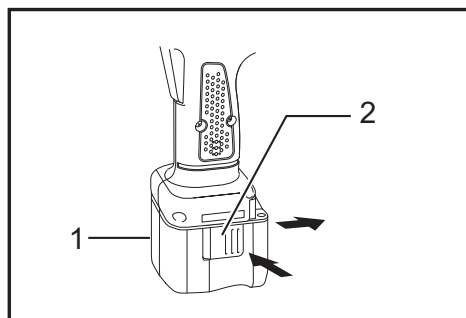
⚠️ PRECAUCIÓN:

- Asegúrese siempre de que la herramienta esté apagada y el cartucho de batería extraído antes de realizar cualquier ajuste o comprobación en la herramienta.

Instalación o desmontaje del cartucho de batería

- Apague siempre la herramienta antes de insertar o desmontar el cartucho de batería.

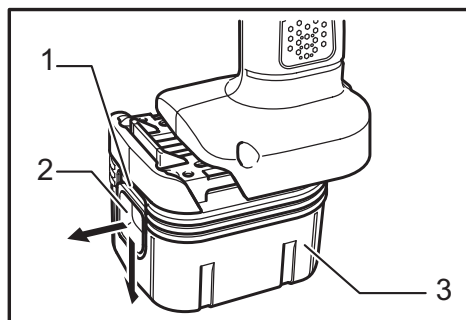
Para los modelos BFT020F, BFT040F, BFT080F, BFT122F



► 1. Cartucho de batería 2. Botón

- Para extraer el cartucho de batería, sáquelo de la herramienta mientras presiona los botones a ambos lados del cartucho.
- Para insertar el cartucho de batería, alinee la lengüeta del cartucho de batería con la acanaladura en el alojamiento y deslícelo hasta que encaje en su sitio. Insértelo siempre a tope hasta que se bloquee en su sitio produciendo un pequeño clic. En caso contrario, podrá caerse accidentalmente de la herramienta y ocasionarle heridas a usted o a alguien que esté cerca de usted.

Para los modelos BFT042F, BFT081F, BFT123F



► 1. Parte roja 2. Botón 3. Cartucho de batería

- Para extraer la batería, retírela de la herramienta deslizando el botón que se encuentra en el frente de la batería.
- Para colocar la batería, alinee la lengüeta de la batería con la canaleta de la carcasa y colóquela en su lugar. Asegúrese siempre de que está insertando la batería hasta el final, en donde hace tope y emite un pequeño chasquido. Si todavía puede ver la parte roja en la parte de arriba del botón, significa que no está completamente trabada. Empújela suavemente hacia adentro hasta que no pueda ver la parte roja. Si esto no sucede, puede que accidentalmente se caiga de la herramienta ocasionando daños personales a usted o a terceros.
- No emplee fuerza cuando inserte el cartucho de batería. Si el cartucho no se desliza al interior fácilmente, será porque no se está insertando correctamente.

Renovación de la carga

El adaptador de renovación de batería (accesorio opcional) permite renovar una batería inactiva.

- La renovación de la carga deberá realizarse una vez por semana.
- Cuando usted carga una batería nueva o una que haya estado en desuso por mucho tiempo, puede que no acepte la carga completa. En este caso, se debe realizar la renovación de carga. El rendimiento de la batería puede verse disminuido a causa de que la sustancia química que la compone se vuelve inactiva.

Verificación de la capacidad de carga restante de la batería.

Lámpara indicadora		Capacidad
(C)	E F	
○	<input type="checkbox"/> <input type="checkbox"/> <input type="checkbox"/>	
●	<input checked="" type="checkbox"/> <input checked="" type="checkbox"/> <input checked="" type="checkbox"/>	80% - 100%
●	<input checked="" type="checkbox"/> <input checked="" type="checkbox"/> <input type="checkbox"/>	60% - 80%
●	<input checked="" type="checkbox"/> <input type="checkbox"/> <input type="checkbox"/>	40% - 60%
●	<input type="checkbox"/> <input type="checkbox"/> <input type="checkbox"/>	10% - 40%
☀️ Color naranja	<input type="checkbox"/> <input type="checkbox"/> <input type="checkbox"/>	0% - 10%

Lámpara indicadora		Capacidad
E	F	
<input type="checkbox"/>	<input type="checkbox"/> <input type="checkbox"/> <input type="checkbox"/>	
<input checked="" type="checkbox"/>	<input checked="" type="checkbox"/> <input checked="" type="checkbox"/> <input checked="" type="checkbox"/>	80% - 100%
<input checked="" type="checkbox"/>	<input checked="" type="checkbox"/> <input checked="" type="checkbox"/> <input type="checkbox"/>	60% - 80%
<input checked="" type="checkbox"/>	<input checked="" type="checkbox"/> <input type="checkbox"/> <input type="checkbox"/>	40% - 60%
<input checked="" type="checkbox"/>	<input type="checkbox"/> <input type="checkbox"/> <input type="checkbox"/>	10% - 40%
☀️ Color naranja	<input type="checkbox"/> <input type="checkbox"/> <input type="checkbox"/>	0% - 10%

Para los modelos BH9020A, BH9033A

Durante la carga

Cuando se inicia la carga, la primera luz indicadora (la última de la izquierda) comienza a destellar. Luego, a medida que la carga avanza, las otras luces se van encendiendo de a una indicando que se va completando la capacidad de carga.

Durante el uso

Dos segundos después de encendida la herramienta, las luces indicadoras se prenderán para indicar la capacidad restante de la batería. Cuando la herramienta se encuentra apagada, la luz indicadora también. Si la batería no ha sido utilizada por mucho tiempo, o si necesita renovación, comienza a destellar la luz naranja. Para renovar la batería utilice el adaptador para renovación de Makita.

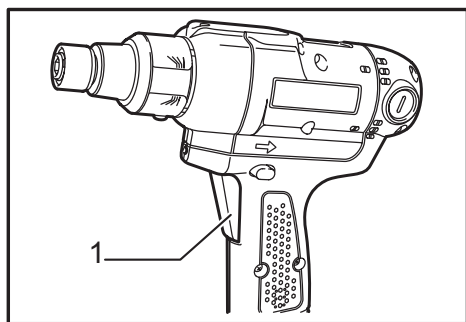
⚠ PRECAUCIÓN:

- Una batería que ha sido extraída de un cargador desenchufado mientras la batería se encontraba adentro, no indicará la capacidad restante de la batería debido a la función de protección; aún cuando la herramienta se haya encendido luego de insertar la batería en la herramienta. Si esto sucede, recargue por espacio de cinco segundos antes de utilizar.

NOTA:

- En caso de que la luz de alarma de la batería no se encienda al utilizar la herramienta ni al cargarla, contacte al Servicio Técnico de Fábrica o Autorizado por Makita.

Accionamiento del interruptor



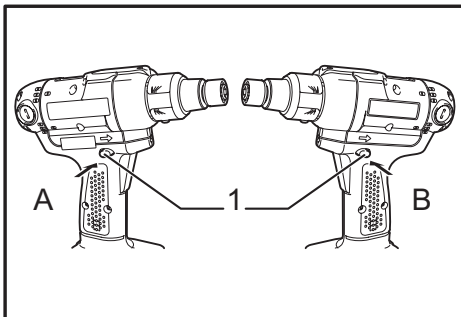
► 1. Gatillo interruptor

⚠ PRECAUCIÓN:

- Antes de insertar el cartucho de batería en la herramienta, compruebe siempre y cerciórese de que el gatillo interruptor se acciona debidamente y que vuelve a la posición "OFF" (apagado) cuando lo suelta.

Para comenzar a utilizar la herramienta, simplemente presione el gatillo interruptor. Suéltelo para detenerla.

Accionamiento del conmutador de inversión de giro



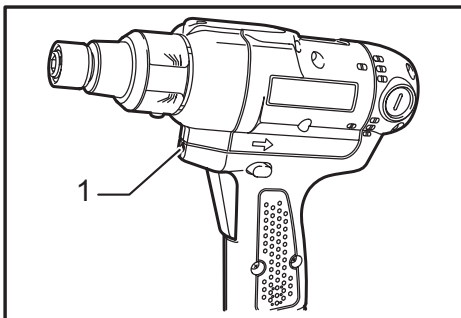
► 1. Palanca del conmutador de inversión de giro

⚠ PRECAUCIÓN:

- Confirme siempre la dirección de giro antes de la operación.
- Utilice el conmutador de inversión solamente después de que la herramienta haya parado completamente. Si cambia la dirección de giro antes de que la herramienta haya parado podrá dañarla.
- Cuando no esté utilizando la herramienta, ponga siempre la palanca del conmutador de inversión en la posición neutral.

Esta herramienta tiene un conmutador de inversión para cambiar la dirección de giro. Presione hacia dentro la palanca del conmutador de inversión del lado A para giro hacia la derecha o del lado B para giro hacia la izquierda. Cuando la palanca del conmutador de inversión esté en la posición neutral, no se podrá apretar el gatillo interruptor.

Encendido de la lámpara



► 1. Lámpara frontal

⚠ PRECAUCIÓN:

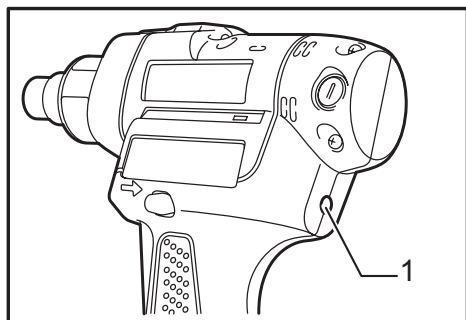
- No mire a la luz ni vea la fuente de luz directamente.

Apriete el gatillo para encender la lámpara. La lámpara se mantiene encendida mientras se esté presionando el gatillo. La lámpara se apagará en forma automática 10 segundos después de soltar el gatillo.

NOTA:

- Utilice un paño seco para quitar la suciedad de la lente de la lámpara. Tenga cuidado de no rayar la lente de la lámpara, porque podrá disminuir la iluminación.

Indicador lumínico LED

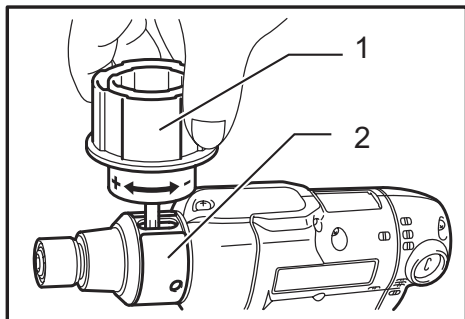


- 1. Luz indicadora (LED)

La linterna de la herramienta muestra las siguientes funciones.

Función	Estado	Estado de la luz indicadora (LED) y del indicador sonoro		Acción a tomar
		Luz indicadora (LED)	Indicador sonoro	
Selección de detención automática	Esta función trabaja cuando la herramienta llega a la fuerza de torsión (torque) establecida y completa el ajuste normal. Esta función evita que se ajuste demasiado el tornillo.	Se enciende la luz verde por un lapso aproximado de un segundo.	—	—
Reinicio demorado	Por espacio de un segundo aproximadamente luego de la detención automática de la herramienta, ésta no se inicia aunque se esté apretando el gatillo del interruptor.			
Alerta contra un ajuste defectuoso	Se realiza un ajuste defectuoso cuando se suelta el interruptor del gatillo antes de llegar a la fijación de torsión preestablecida.	Se enciende la luz roja.	Un sonido largo	Volver a ajustar el tornillo
Alerta de batería descargada	Esta función indica en qué momento es adecuado reemplazar la batería cuando la carga disminuye.	Destello lento de la luz roja.	Una serie de sonidos largos	Reemplazar la batería por otra con carga
Verificación de la capacidad de carga restante de la batería, detención automática	Esta función indica que la carga de la batería está prácticamente agotada. La herramienta se detiene automáticamente.	Se enciende la luz roja.	Un sonido largo	Reemplazar la batería por otra con carga
Verificar la luz indicadora (LED) e indicador sonoro	Esta función se ocupa de verificar que la luz indicadora (LED), así como el indicador sonoro funcionen correctamente al insertar la batería en la herramienta.	Se enciende primero la luz verde, luego la luz roja (luego se enciende).	Una serie de sonidos muy cortos	—
Controlador antirestauración	Esta función permite que cuando, por cualquier motivo, haya un descenso anormal del voltaje de la batería la herramienta se detenga.	Destellan la luz roja y verde en forma alternada.	Una serie de sonidos cortos	Reemplazar la batería por otra con carga
Sobrecalentamiento	Esta función se activa cuando la temperatura del controlador sube demasiado; la herramienta se apaga.	Rápidos destellos de la luz roja	Una serie de sonidos cortos	Quitar la batería inmediatamente y dejar enfriar la herramienta.
Error de operación del gatillo interruptor	Esta función evita que la herramienta se encienda automáticamente al insertar la batería cuando el gatillo interruptor se está jalando.	Destellan la luz roja y verde en forma alternada.	Una serie de sonidos cortos	Soltar el gatillo.

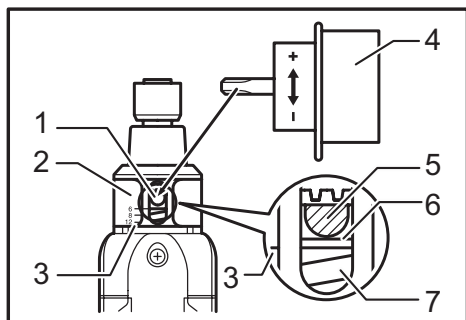
Ajuste de la torsión de fijación



► 1. Anillo de ajuste 2. Anillo

Cuando desea ajustar tornillos de metal, de madera, tuercas, etc. con un torque predeterminado, seleccione el torque de la siguiente manera.

1. Primero quite la batería de la herramienta.
2. Afloje y quite el tornillo que asegura el anillo.
3. Gire el anillo del frente de la herramienta a mano para que se abra el agujero debajo de éste.
4. Coloque la batería en su lugar y apriete el gatillo. Suéltelo para que el anillo de ajuste rote y se vea desde el agujero. Luego quite la batería.



► 1. Anillo de ajuste 2. Anillo 3. Escala 4. Llave de ajuste 5. Orificio para llave de ajuste 6. Línea amarilla 7. Resorte de compresión

5. Utilice una llave de ajuste opcional para ajustar el selector de torque. Inserte la punta de la llave de ajuste en el agujero del frente de la herramienta. Y luego gire la llave en sentido horario para seleccionar un torque mayor, en sentido contrario para desajustar el torque.
6. Alinee la línea amarilla con el número deseado en la escala de ajuste de torque.
7. Inserte la batería y asegúrese de que se ha seleccionado el torque indicado mediante un medidor de torque.
8. Gire el anillo del frente de la herramienta y luego ajuste el tornillo para asegurar el anillo.

NOTA:

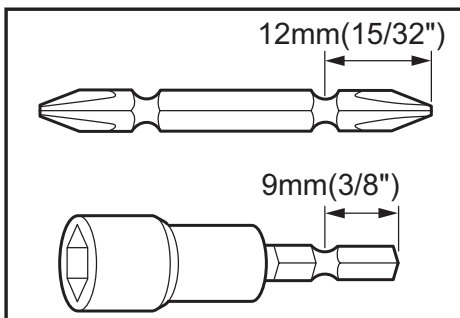
- Los números que se encuentran en la escala de ajuste de torque son una guía que le servirá para seleccionar el torque deseado.

ENSAMBLE

⚠PRECAUCIÓN:

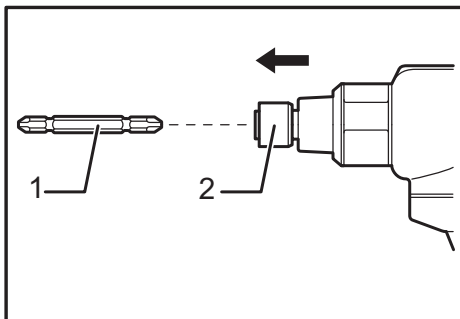
- Asegúrese siempre de que la herramienta esté apagada y el cartucho de batería extraído antes de realizar cualquier trabajo en la misma.

Instalar o quitar las puntas para atornillar



Utilice solamente las puntas para atornillar que se muestran en la figura. No utilice ninguna otra más que la indicada. Para instalar la punta de atornillar, tire del mandril en la dirección que indica la flecha e insértela dentro del mandril hasta que haga tope. Luego suelte el mandril para asegurar la punta.

Para instalar la punta de atornillar, inserte la punta en el mandril hasta donde sea posible. Para quitarla, tire del mandril en la dirección que indica la flecha y luego de la punta con firmeza.



► 1. Punta de atornillar 2. Base de mandril

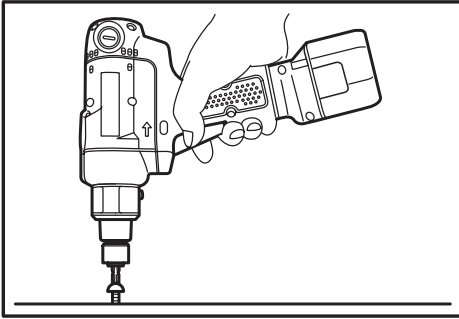
Para quitar la punta de atornillar, tire del mandril en la dirección que indica la flecha y tire de la punta con firmeza.

NOTA:

- Si la punta de atornillar no ha sido insertada en el mandril hasta el fondo, éste no volverá a su posición original y no quedará asegurada la punta. En este caso pruebe volver a insertar la punta de acuerdo con las indicaciones dadas.

OPERACIÓN

Operación de atornillado



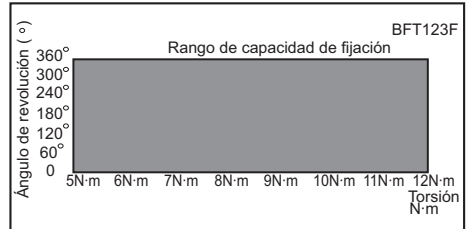
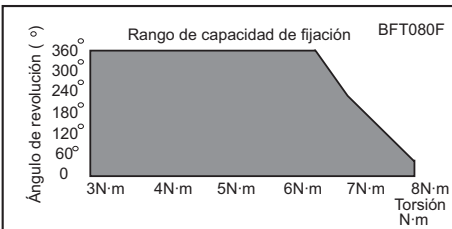
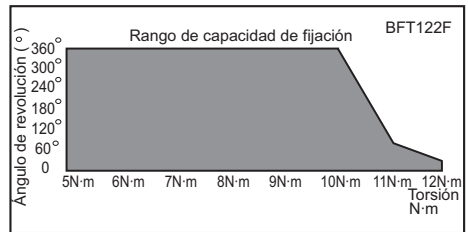
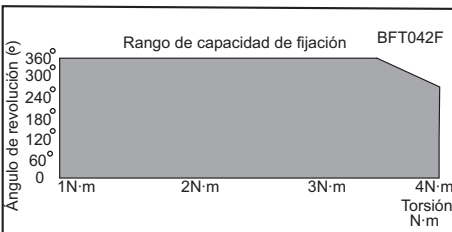
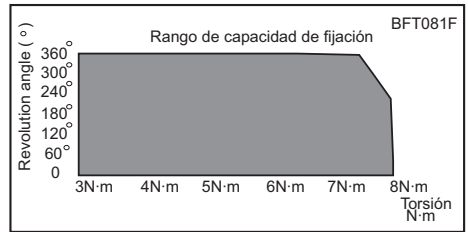
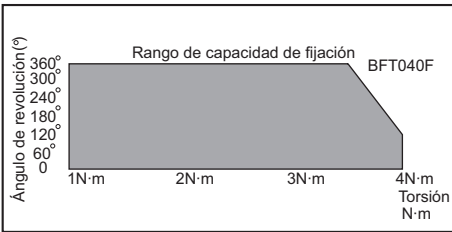
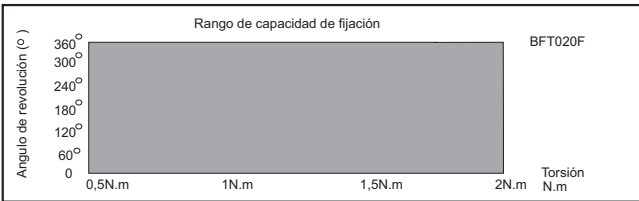
Coloque la punta en la cabeza del tornillo y presione con la herramienta. Luego encienda la herramienta. Cuando se suelte el embrague, el motor se detendrá automáticamente. Suelte el gatillo.

NOTA:

- Asegúrese de que la punta de atornillar esté insertada en línea recta en la cabeza del tornillo, o de lo contrario podrá dañar el tornillo y/o la punta de atornillar.

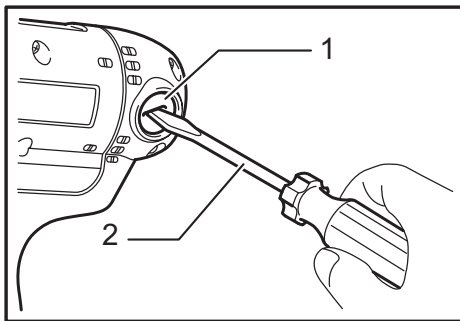
Límite de la capacidad de ajuste

Utilice la herramienta dentro de sus límites de ajuste. Si ud. excede esa capacidad, el embrague no funcionará. Y la herramienta no podrá brindar un torque suficiente.



NOTA:

- El ángulo de revolución se refiere al ángulo en el cual gira el tornillo/tuerca cuando la herramienta alcanza el 100% del 50% del torque deseado.
- La utilización de una batería para baja temperatura puede hacer funcionar la alerta de batería descargada encendiendo la luz y haciendo sonar la alarma, lo que causará que la herramienta se detenga automáticamente. En este caso, el rango de capacidad de ajuste será inferior al que se mostró anteriormente aún cuando se utilice una batería con carga.



► 1. Tapa del carbón 2. Destornillador

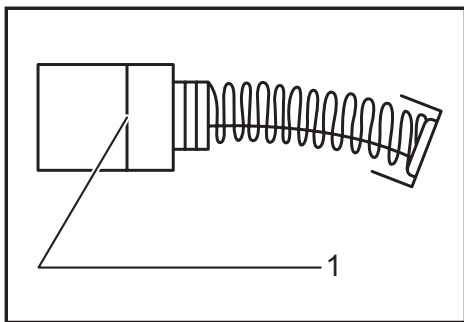
Para mantener la SEGURIDAD y FIABILIDAD del producto, las reparaciones, y cualquier otra tarea de mantenimiento o ajuste deberán ser realizadas en Centros de Servicio Autorizados por Makita, empleando siempre repuestos Makita.

MANTENIMIENTO

⚠PRECAUCIÓN:

- Asegúrese siempre de que la herramienta esté apagada y el cartucho de batería extraído antes de intentar realizar una inspección o mantenimiento.
- Nunca use gasolina, bencina, diluyente (tíner), alcohol o sustancias similares. Puede que esto ocasione grietas o descoloramiento.

Reemplazamiento de las escobillas de carbón



► 1. Marca límite

Extraiga e inspeccione de forma periódica las escobillas de carbón. Sustitúyalas cuando se hayan gastado hasta la marca límite. Mantenga las escobillas de carbón limpias de forma que entren libremente en los portaescobillas. Ambas escobillas de carbón deberán ser sustituidas al mismo tiempo. Utilice únicamente escobillas de carbón originales e idénticas. Utilice un destornillador para quitar Tapa del carbón. Extraiga las escobillas gastadas, inserte las nuevas y vuelva a colocar las tapas.

ACCESORIOS OPCIONALES

⚠PRECAUCIÓN:

- Estos accesorios o aditamentos (incluidos o no) están recomendados para utilizar con su herramienta Makita especificada en este manual. El empleo de cualesquiera otros accesorios o acoplamientos conllevará un riesgo de sufrir heridas personales. Utilice los accesorios o acoplamientos solamente para su fin establecido.

Si necesita cualquier ayuda para más detalles en relación con estos accesorios, pregunte a su centro de servicio Makita local.

- Diferentes tipos de baterías y cargadores genuinos de Makita
- Adaptador de renovación automática de carga
- Llave de ajuste
- Protección
- Juego básico de llaves de ajuste
- Llave 37
- Cabeza contra retrocesos bruscos

NOTA: Algunos de los artículos en la lista pueden incluirse en el paquete de la herramienta como accesorios estándar. Éstos pueden variar de país a país.

GARANTÍA LIMITADA DE MAKITA

Ésta Garantía no aplica para México

Consulte la hoja de la garantía anexa para ver los términos más vigentes de la garantía aplicable a este producto. En caso de no disponer de esta hoja de garantía anexa, consulte los detalles sobre la garantía descritos en el sitio web de su país respectivo indicado a continuación.

Estados Unidos de América: www.makitatools.com
 Canadá: www.makita.ca
 Otros países: www.makita.com

< USA only >

WARNING

Some dust created by power sanding, sawing, grinding, drilling, and other construction activities contains chemicals known to the State of California to cause cancer, birth defects or other reproductive harm. Some examples of these chemicals are:

- lead from lead-based paints,
- crystalline silica from bricks and cement and other masonry products, and
- arsenic and chromium from chemically-treated lumber.

Your risk from these exposures varies, depending on how often you do this type of work. To reduce your exposure to these chemicals: work in a well ventilated area, and work with approved safety equipment, such as those dust masks that are specially designed to filter out microscopic particles.

< Sólo en los Estados Unidos >

ADVERTENCIA

Algunos polvos creados por el lijado, aserrado, esmerilado, taladrado y otras actividades de la construcción contienen sustancias químicas reconocidas por el Estado de California como causantes de cáncer, defectos de nacimiento y otros peligros de reproducción. Algunos ejemplos de estos productos químicos son:

- plomo de pinturas a base de plomo,
- sílice cristalino de ladrillos y cemento y otros productos de albañilería, y
- arsénico y cromo de maderas tratadas químicamente.

El riesgo al que se expone varía, dependiendo de la frecuencia con la que realice este tipo de trabajo. Para reducir la exposición a estos productos químicos: trabaje en un área bien ventilada y póngase el equipo de seguridad indicado, tal como las máscaras contra polvo que están especialmente diseñadas para filtrar partículas microscópicas.

Makita Corporation

3-11-8, Sumiyoshi-cho,
Anjo, Aichi 446-8502 Japan

www.makita.com

884500F943
BFT020F-1
EN, FRCA, ESMX
20180925